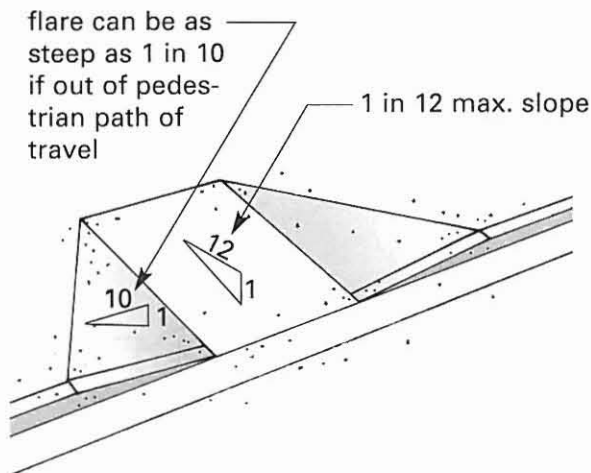


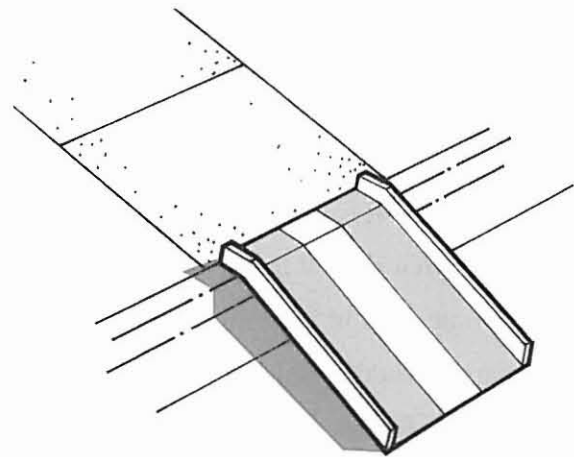
Curb Ramps

Curbs along streets and parking lots are frequently encountered barriers. Curb ramps, or “cuts,” are utilized to overcome level changes created by curbs. A curb ramp designed to meet the specifications of the Standards must have slopes no steeper than 1 in 12. They may have flared sides that slope as steeply as 1 in 10 if the flare is not directly in the pedestrian path of travel, perpendicular to the curb ramp.

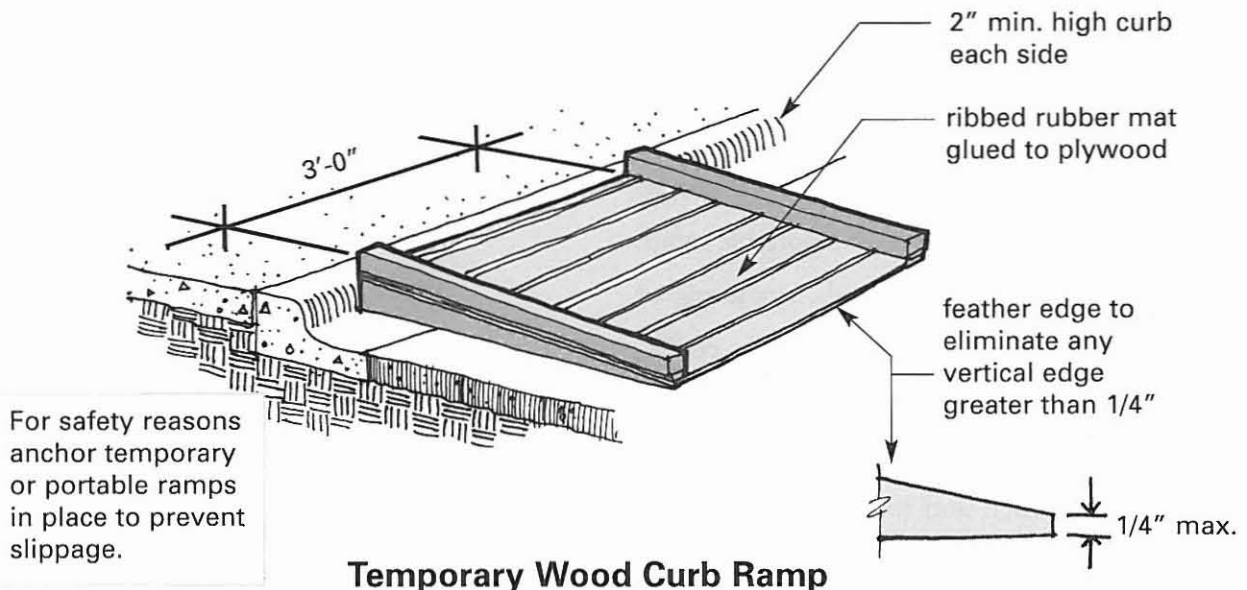
Numerous manufacturers now fabricate portable ramps, with some specially designed to bridge curbs and appropriate for use at a temporary event. For safety reasons, it is critical the ramp be designed not to move or shift from frequent use and is securely attached so a person would not tip over or fall out of their wheelchair or scooter. Temporary wood curb ramps also can be fabricated as needed.



**Typical Flared Curb Ramp
Used in New Construction**



**Manufactured Portable
Curb Ramp**



Temporary Wood Curb Ramp