

APPROVED BY: DATE: 6/22/2023
ERIC J. WENGER, P.E.
CITY ENGINEER

THESE STANDARD DRAWINGS AND ASSOCIATED CALCULATIONS HAVE BEEN PREPARED BY CEC CORPORATION UNDER CONTRACT WITH THE CITY OF OKLAHOMA CITY.

R.C.B. CULVERTS - END SECTION DETAILS
SINGLE CELL - 9' HEIGHT - 0° SKEW
SHEET NO. 1 OF 2

Drawing Number
RCB-028

APRON AND HEADWALL BAR LIST

MARK	SIZE	FORM	9' SPAN			10' SPAN			11' SPAN			12' SPAN		
			NO.	LENGTH	LENGTH VARIATION	NO.	LENGTH	LENGTH VARIATION	NO.	LENGTH	LENGTH VARIATION	NO.	LENGTH	LENGTH VARIATION
ABD1	#4	STR.	22	4'-3"		24	4'-3"		26	4'-3"		28	4'-3"	
ABD2	#4	BNT.	4	5'-0"		4	5'-0"		4	5'-0"		4	5'-0"	
AD	#4	STR.	4	34'-0"		4	34'-0"		4	34'-0"		4	34'-0"	
AL1	#4	STR.	22	30'-7"		24	30'-7"		26	30'-7"		28	30'-7"	
AL2	#4	STR.	68	16'-1" AVG.	2'-4" TO 29'-10"	68	16'-1" AVG.	2'-4" TO 29'-10"	68	16'-1" AVG.	2'-4" TO 29'-10"	68	16'-1" AVG.	2'-4" TO 29'-10"
AT1	#4	STR.	4	44'-8"		4	45'-8"		4	46'-10"		4	47'-10"	
AT2	#4	STR.	30	27'-3" AVG.	10'-6" TO 44'-0"	30	28'-3" AVG.	11'-6" TO 45'-0"	30	29'-5" AVG.	12'-8" TO 46'-2"	30	30'-5" AVG.	13'-8" TO 47'-2"
AT3	#5	STR.	30	27'-3" AVG.	10'-6" TO 44'-0"	30	28'-3" AVG.	11'-6" TO 45'-0"	30	29'-5" AVG.	12'-8" TO 46'-2"	30	30'-5" AVG.	13'-8" TO 47'-2"
CH	#4	STR.	4	10'-6"		4	11'-6"		4	12'-8"		4	13'-8"	
CL1	#4	BNT.	13	4'-4"		14	4'-4"		15	4'-4"		16	4'-4"	
CL2	#4	BNT.	13	4'-4"		14	4'-4"		15	4'-4"		16	4'-4"	

① 4 SETS OF 17 BARS

NOTE:
QUANTITIES ARE FOR ONE END SECTION WHICH INCLUDES ONE HEADWALL, ONE APRON AND TWO WINGWALLS. PIPE RAILING IS BASED ON PLAN DIMENSION AT CENTERLINE OF RAILING.

QUANTITIES

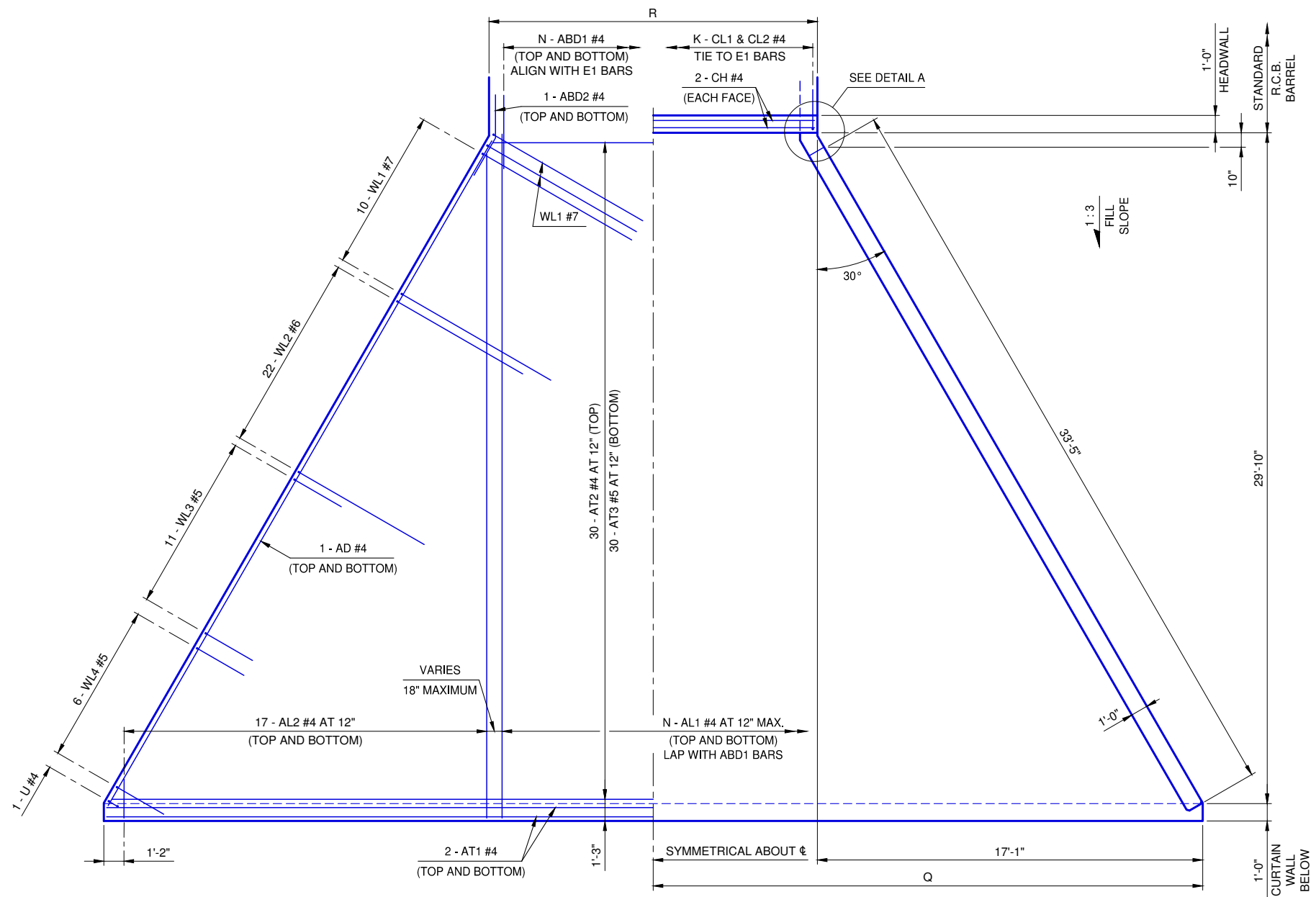
ITEM	UNIT	9' SPAN	10' SPAN	11' SPAN	12' SPAN
CLASS AA CONCRETE	C.Y.	52.5	53.8	55.3	56.6
REINFORCING STEEL	LB.	7,090	7,200	7,320	7,430
PIPE RAILING	L.F.	79	80	81	82

APRON VARIABLES

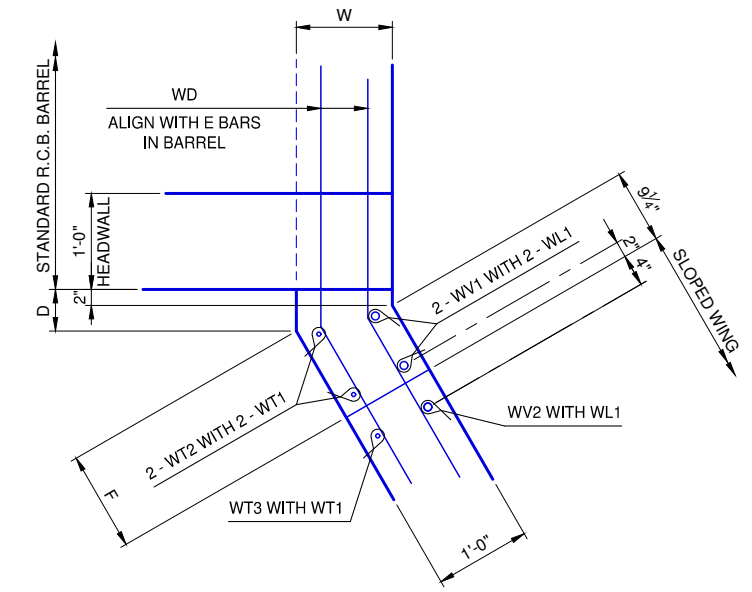
SPAN	DIMENSIONS		NO. OF BARS	
	R	Q	K	N
9'	10'-10"	22'-6"	13	11
10'	11'-10"	23'-0"	14	12
11'	13'-0"	23'-7"	15	13
12'	14'-0"	24'-1"	16	14

WINGWALL DIMENSIONS

SPAN	DIMENSIONS		
	SPAN	W	D
9'	11"	6 15/16"	10 7/16"
10'	11"	6 15/16"	10 7/16"
11'	12"	5 3/16"	1'-0 7/16"
12'	12"	5 3/16"	1'-0 7/16"

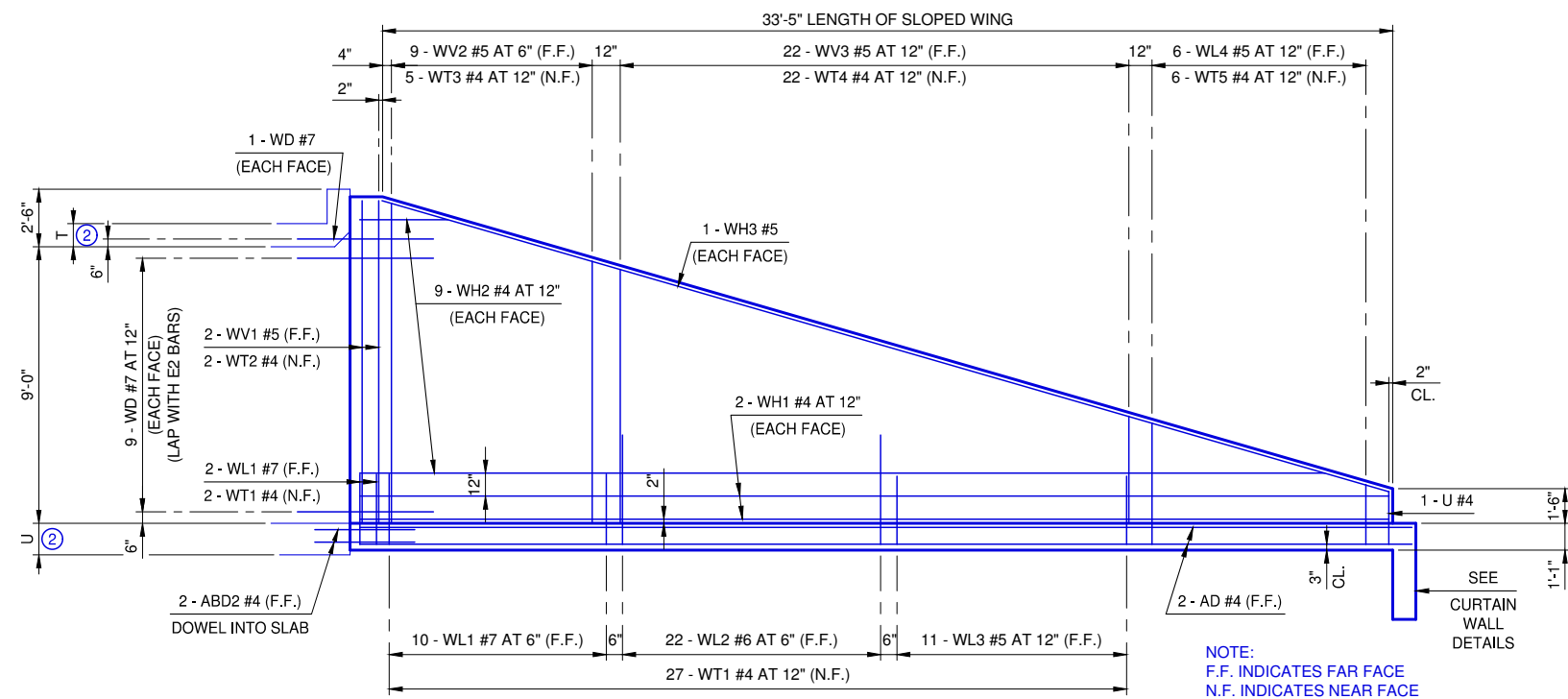


APRON PLAN



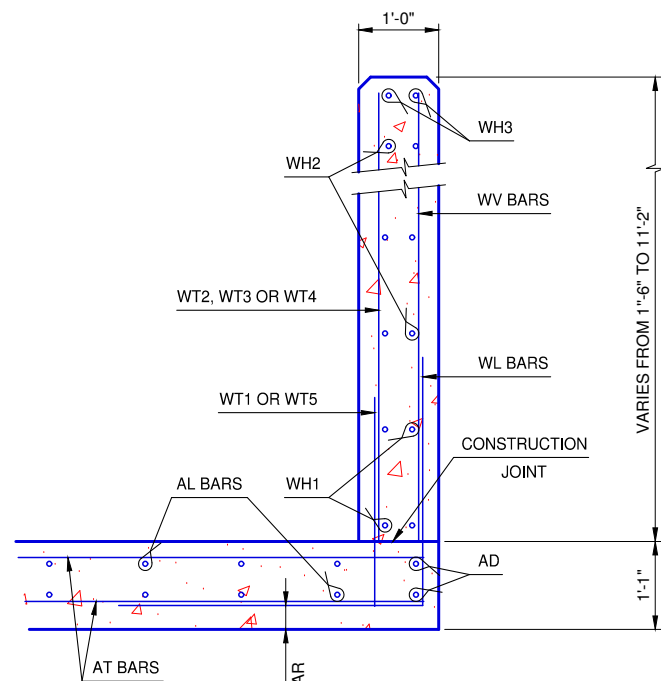
DETAIL A

REVISION NO.
DATE

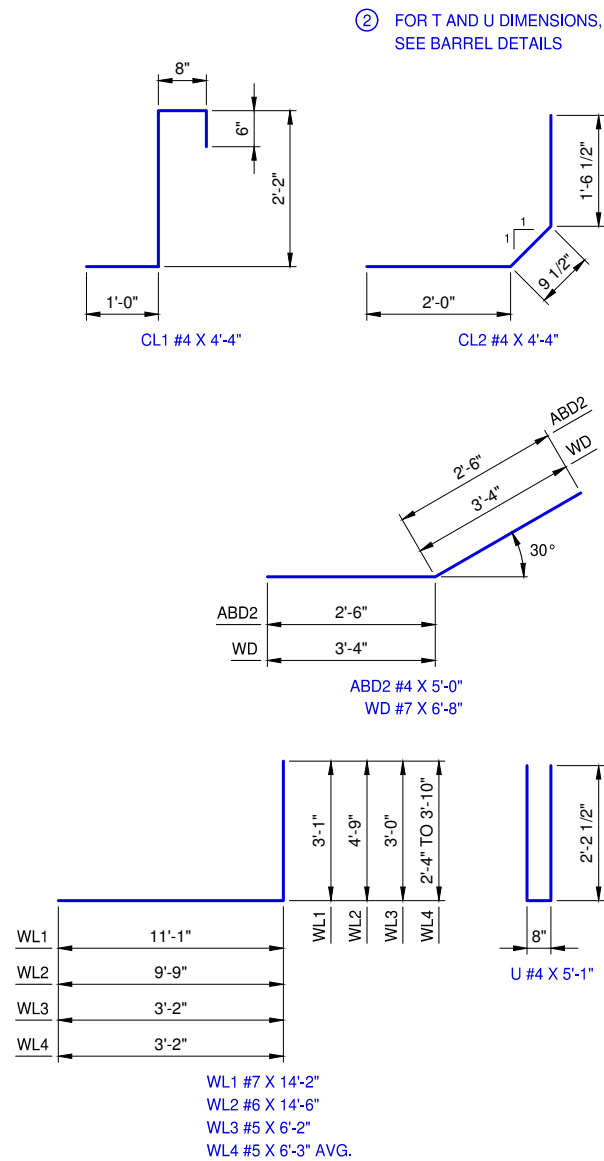


WINGWALL ELEVATION

SEE STD. RCB-015 PipeRailing FOR DETAILS OF RAIL REQUIRED ON TOP OF HEADWALL AND WINGS



TYPICAL SECTION THRU WING



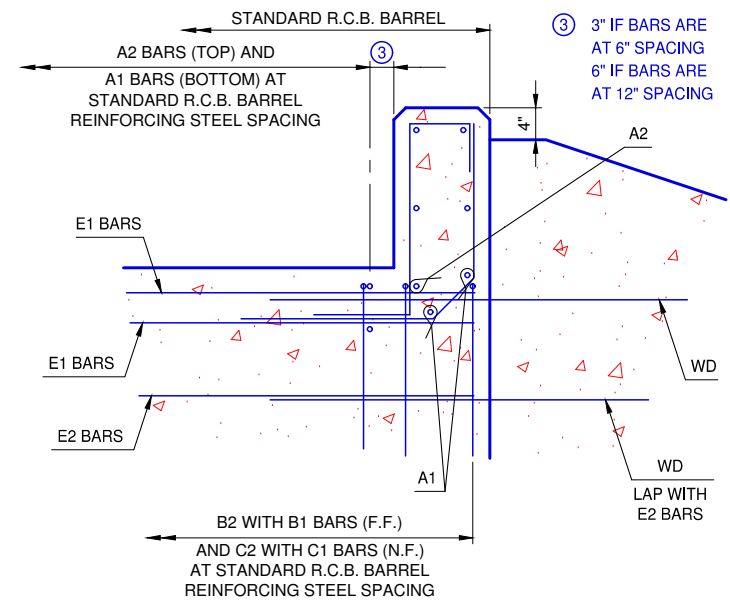
ADJUSTMENT IN NUMBER OF BARREL BARS IN END SECTION

SPAN	BAR MARKS					
	A1	A2	B1	B2	C1	C2
9'					+2	+2
10'					+2	+2
11'					+2	+2
12'					+2	+2

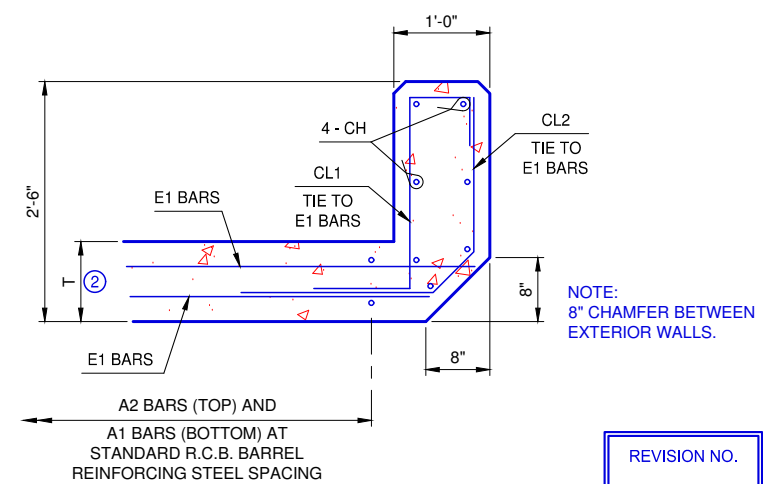
NOTE: TO CONSTRUCT ONE END SECTION AS SHOWN, THE NUMBER OF BARS SHOWN NEED TO BE ADDED TO OR SUBTRACTED FROM THE TOTAL WEIGHT OF REINFORCING FOR THE BARREL. THIS WEIGHT ADJUSTMENT IS INCLUDED IN THE END SECTION QUANTITY. SEE BARREL DETAILS FOR BAR LENGTHS, SIZES AND BENDS.

WINGWALL BAR LIST					
ONE WINGWALL SHOWN, TWO REQUIRED					
MARK	SIZE	NO.	FORM	LENGTH	LENGTH VARIATION
WD	#7	20	BNT.	6'-8"	
WH1	#4	4	STR.	34'-3"	
WH2	#4	18	STR.	17'-7" AVG.	3'-9" TO 31'-5"
WH3	#5	2	STR.	34'-7"	
WL1	#7	12	BNT.	14'-2"	
WL2	#6	22	BNT.	14'-6"	
WL3	#5	11	BNT.	6'-2"	
WL4	#5	6	BNT.	6'-3" AVG.	5'-6" TO 7'-0"
WT1	#4	27	STR.	2'-6"	
WT2	#4	2	STR.	11'-0"	
WT3	#4	5	STR.	10'-3" AVG.	9'-8" TO 10'-10"
WT4	#4	22	STR.	6'-4" AVG.	3'-4" TO 9'-4"
WT5	#4	6	STR.	3'-1" AVG.	2'-4" TO 3'-10"
WV1	#5	2	STR.	11'-0"	
WV2	#5	9	STR.	10'-3" AVG.	9'-8" TO 10'-10"
WV3	#5	22	STR.	6'-4" AVG.	3'-4" TO 9'-4"
U	#4	1	BNT.	5'-1"	

① 2 SETS OF 9 BARS



HEADWALL DETAIL AT EXTERIOR WALL



HEADWALL DETAIL AT MIDSPAN

REVISION NO. DATE

APPROVED BY: ERIC J. WENGER, P.E. CITY ENGINEER
DATE: 6/22/2023
THESE STANDARD DRAWINGS AND ASSOCIATED CALCULATIONS HAVE BEEN PREPARED BY CEC CORPORATION UNDER CONTRACT WITH THE CITY OF OKLAHOMA CITY.

R.C.B. CULVERTS - END SECTION DETAILS
SINGLE CELL - 9' HEIGHT - 0° SKEW
SHEET NO. 2 OF 2

Drawing Number RCB-029