

APPROVED BY: DATE: 6/22/2023
ERIC J. WENGER, P.E.
CITY ENGINEER
THESE STANDARD DRAWINGS AND ASSOCIATED CALCULATIONS HAVE BEEN PREPARED BY CEC CORPORATION UNDER CONTRACT WITH THE CITY OF OKLAHOMA CITY

R.C.B. CULVERTS - END SECTION DETAILS
DOUBLE CELL - 9' HEIGHT - 0° SKEW
SHEET NO. 1 OF 2

Drawing Number
RCB-052

APRON AND HEADWALL BAR LIST

MARK	SIZE	FORM	9' SPAN			10' SPAN			11' SPAN			12' SPAN		
			NO.	LENGTH	LENGTH VARIATION	NO.	LENGTH	LENGTH VARIATION	NO.	LENGTH	LENGTH VARIATION	NO.	LENGTH	LENGTH VARIATION
ABD1	#4	STR.	44	4'-3"		48	4'-3"		52	4'-3"		56	4'-3"	
ABD2	#4	BNT.	4	5'-0"		4	5'-0"		4	5'-0"		4	5'-0"	
AD	#4	STR.	4	34'-0"		4	34'-0"		4	34'-0"		4	34'-0"	
AL1	#4	STR.	44	30'-7"		48	30'-7"		52	30'-7"		56	30'-7"	
AL2	#4	STR.	68	16'-1" AVG.	2'-4" TO 29'-10"	68	16'-1" AVG.	2'-4" TO 29'-10"	68	16'-1" AVG.	2'-4" TO 29'-10"	68	16'-1" AVG.	2'-4" TO 29'-10"
AT1	#4	STR.	4	54'-7"		4	56'-7"		4	58'-7"		4	63'-4"	
AT2	#4	STR.										1	62'-9"	
AT3	#5	STR.										1	62'-9"	
AT4	#4	STR.	30	37'-2" AVG.	20'-4" TO 54'-0"	30	39'-2" AVG.	22'-4" TO 56'-0"	30	41'-2" AVG.	24'-4" TO 58'-0"	29	42'-10" AVG.	26'-7" TO 59'-1"
AT5	#5	STR.	30	37'-2" AVG.	20'-4" TO 54'-0"	30	39'-2" AVG.	22'-4" TO 56'-0"	30	41'-2" AVG.	24'-4" TO 58'-0"	29	42'-10" AVG.	26'-7" TO 59'-1"
CH	#4	STR.	4	20'-5"		4	22'-5"		4	24'-5"		4	26'-8"	
CL1	#4	BNT.	24	4'-4"		26	4'-4"		28	4'-4"		30	4'-4"	
CL2	#4	BNT.	24	4'-4"		26	4'-4"		28	4'-4"		30	4'-4"	

- ①
- ②

① 4 SETS OF 17 BARS
② LENGTH INCLUDES 2'-6" LAP

NOTE:
QUANTITIES ARE FOR ONE END SECTION WHICH INCLUDES ONE HEADWALL, ONE APRON AND TWO WINGWALLS. PIPE RAILING IS BASED ON PLAN DIMENSION AT CENTERLINE OF RAILING.

QUANTITIES

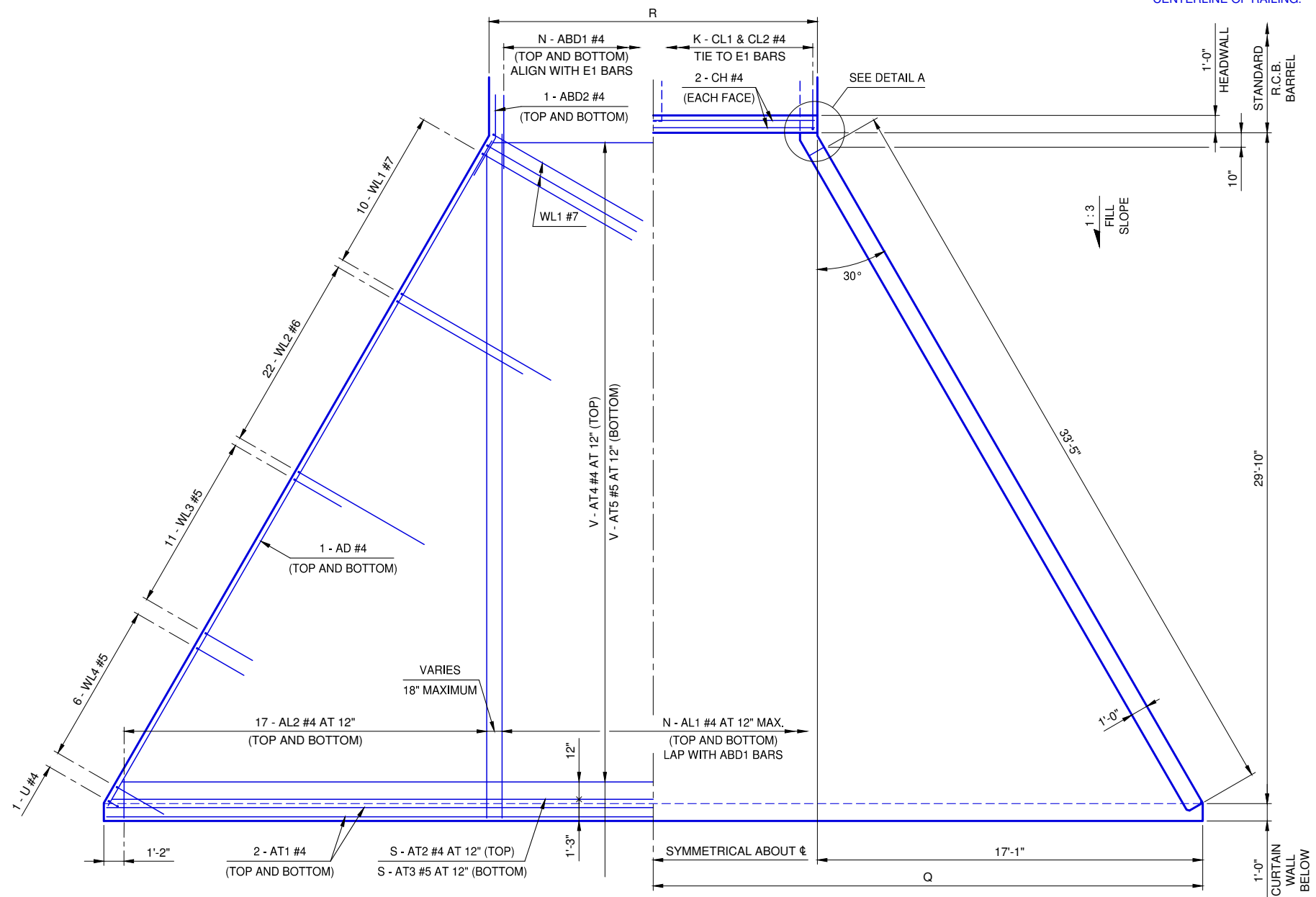
ITEM	UNIT	9' SPAN	10' SPAN	11' SPAN	12' SPAN
CLASS AA CONCRETE	C.Y.	65.3	67.9	70.5	73.4
REINFORCING STEEL	LB.	8,210	8,430	8,650	8,890
PIPE RAILING	L.F.	89	91	93	95

APRON VARIABLES

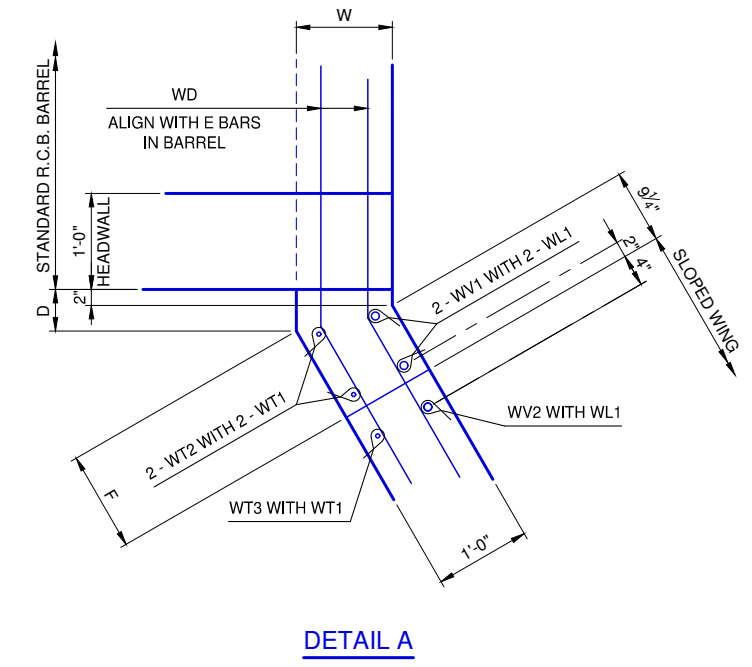
SPAN	DIMENSIONS		NUMBER OF BARS					
	R	Q	K	N	S	V		
9'	20'-9"	27'-5 1/2"	24	22		30		
10'	22'-9"	28'-5 1/2"	26	24		30		
11'	24'-9"	29'-5 1/2"	28	26		30		
12'	27'-0"	30'-7"	30	28	1	29		

WINGWALL DIMENSIONS

SPAN	W	D	F
9'	11"	6 15/16"	10 7/16"
10'	11"	6 15/16"	10 7/16"
11'	11"	6 15/16"	10 7/16"
12'	12"	5 3/16"	1'-0 7/16"

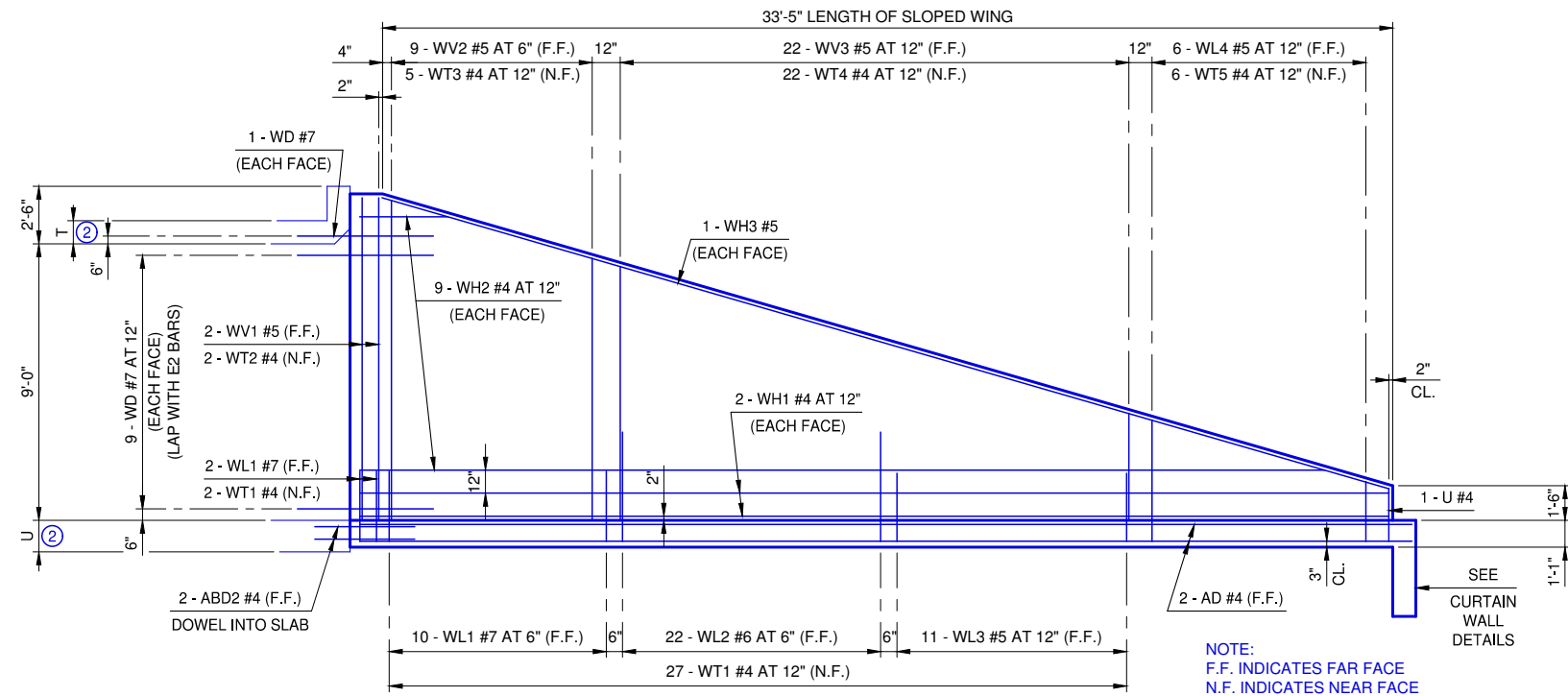


APRON PLAN



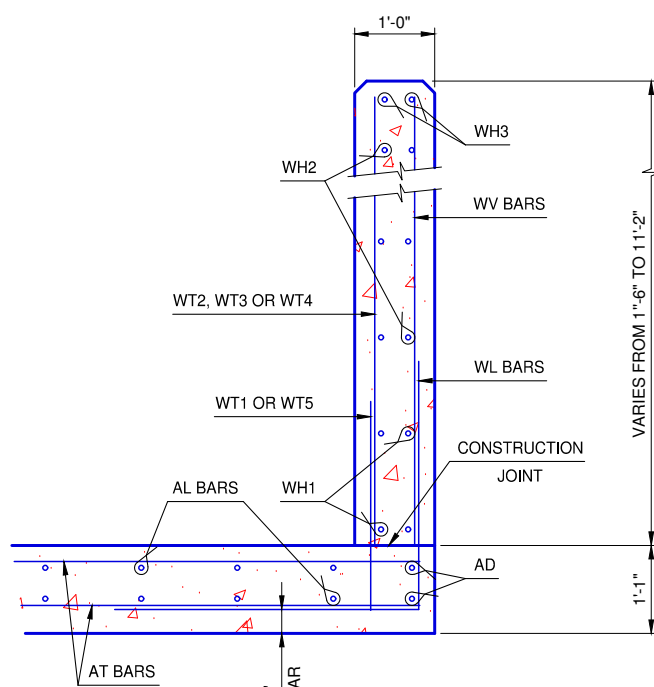
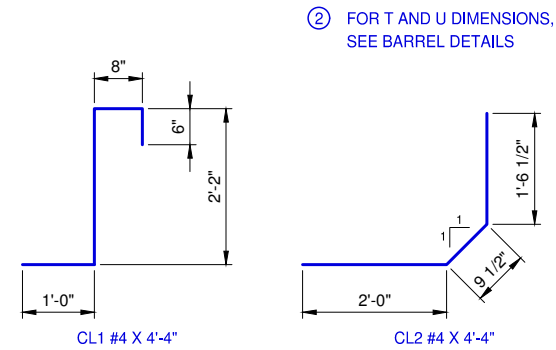
DETAIL A

REVISION NO.
DATE

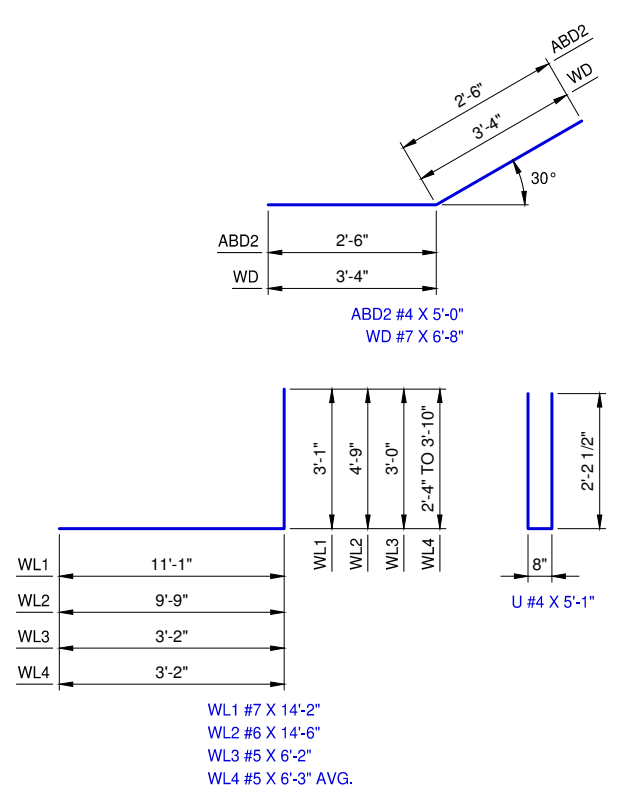


WINGWALL ELEVATION

SEE STD. RCB-015 PipeRailing FOR DETAILS OF RAIL REQUIRED ON TOP OF HEADWALL AND WINGS



TYPICAL SECTION THRU WING



ADJUSTMENT IN NUMBER OF BARREL BARS IN END SECTION

SPAN	BAR MARKS								
	A1	A2	A3	B1	B2	C1	C2	C3	C4
9'						-2	-2	+2	+2
10'						-2	-2	+2	+2
11'						-2	-2	+2	+2
12'						-2	-2	+2	+2

NOTE:
TO CONSTRUCT ONE END SECTION AS SHOWN, THE NUMBER OF BARS SHOWN NEED TO BE ADDED TO OR SUBTRACTED FROM THE TOTAL WEIGHT OF REINFORCING FOR THE BARREL. THIS WEIGHT ADJUSTMENT IS INCLUDED IN THE END SECTION QUANTITY. SEE BARREL DETAILS FOR BAR LENGTHS, SIZES AND BENDS.

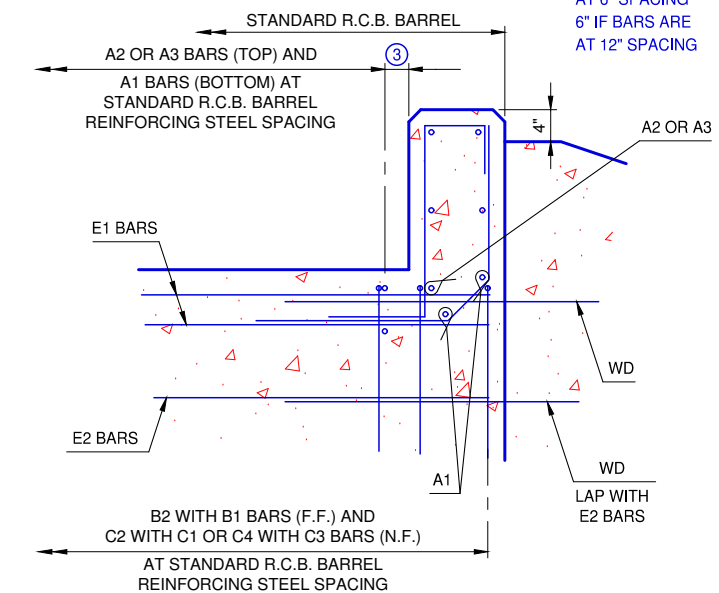
WINGWALL BAR LIST

ONE WINGWALL SHOWN, TWO REQUIRED

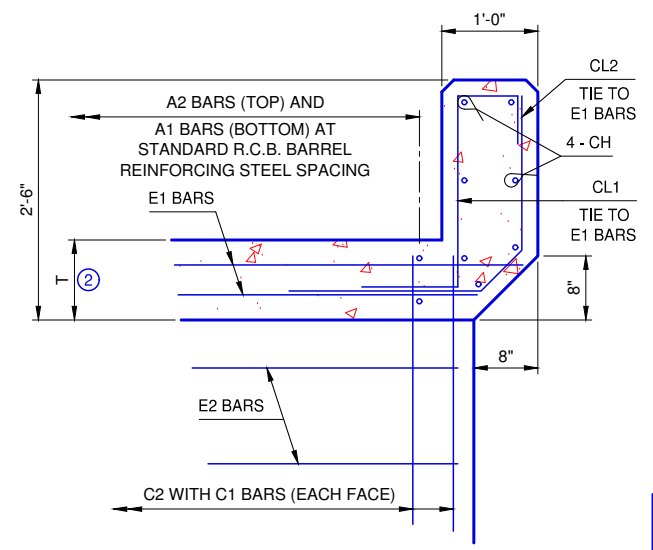
MARK	SIZE	NO.	FORM	LENGTH	LENGTH VARIATION
WD	#7	20	BNT.	6'-8"	
WH1	#4	4	STR.	34'-3"	
WH2	#4	18	STR.	17'-7" AVG.	3'-9" TO 31'-5"
WH3	#5	2	STR.	34'-7"	
WL1	#7	12	BNT.	14'-2"	
WL2	#6	22	BNT.	14'-6"	
WL3	#5	11	BNT.	6'-2"	
WL4	#5	6	BNT.	6'-3" AVG.	5'-6" TO 7'-0"
WT1	#4	27	STR.	2'-6"	
WT2	#4	2	STR.	11'-0"	
WT3	#4	5	STR.	10'-3" AVG.	9'-8" TO 10'-10"
WT4	#4	22	STR.	6'-4" AVG.	3'-4" TO 9'-4"
WT5	#4	6	STR.	3'-1" AVG.	2'-4" TO 3'-10"
WV1	#5	2	STR.	11'-0"	
WV2	#5	9	STR.	10'-3" AVG.	9'-8" TO 10'-10"
WV3	#5	22	STR.	6'-4" AVG.	3'-4" TO 9'-4"
U	#4	1	BNT.	5'-1"	

① 2 SETS OF 9 BARS

③ 3" IF BARS ARE AT 6" SPACING
6" IF BARS ARE AT 12" SPACING



HEADWALL DETAIL AT EXTERIOR WALL



HEADWALL DETAIL AT INTERIOR WALL

REVISION NO.

DATE

APPROVED BY: DATE: 6/22/2023
ERIC J. WENGER, P.E.
CITY ENGINEER

THESE STANDARD DRAWINGS AND ASSOCIATED CALCULATIONS HAVE BEEN PREPARED BY CEC CORPORATION UNDER CONTRACT WITH THE CITY OF OKLAHOMA CITY.