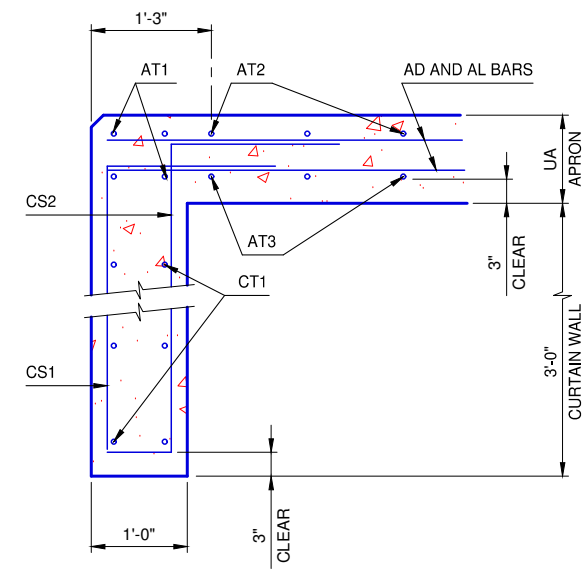
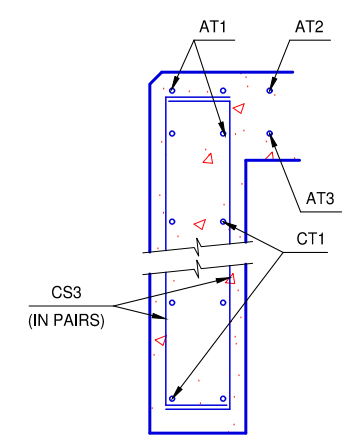


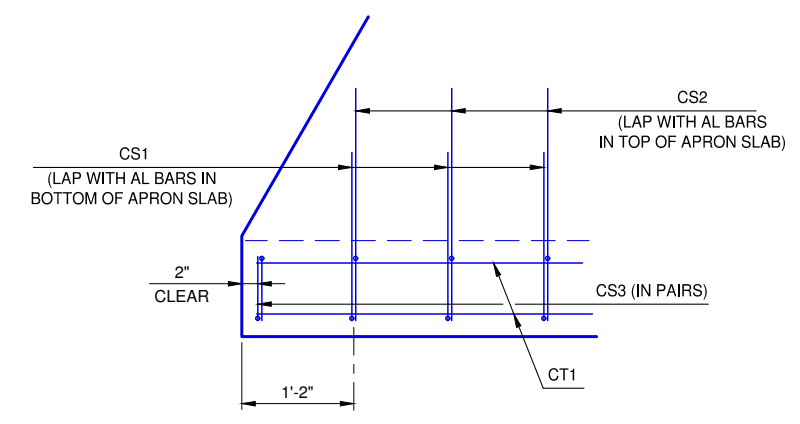
DIMENSIONS				REINFORCING STEEL								QUANTITIES	
CELL SPAN	CELL HEIGHT	UA	M	CS1 - #4		CS2 - #4		CS3 - #4		CT1 - #4 AT 12" MAX.		CONC. (C.Y.)	REINF. (LB.)
				NO.	LENGTH	NO.	LENGTH	NO.	LENGTH	NO.	LENGTH		
4'	3'	9"	3'-3"	18	4'-9"	18	5'-8"	4	4'-7"	6	18'-3"	2.1	220
4'	4'	10"	3'-4"	22	4'-9"	22	5'-9"	4	4'-8"	6	21'-9"	2.5	260
5'	3'	9"	3'-3"	19	4'-9"	19	5'-8"	4	4'-7"	6	19'-3"	2.2	230
5'	4'	10"	3'-4"	23	4'-9"	23	5'-9"	4	4'-8"	6	22'-9"	2.6	270
5'	5'	10"	3'-4"	27	4'-9"	27	5'-9"	4	4'-8"	6	26'-4"	3.0	310
6'	3'	9"	3'-3"	20	4'-9"	20	5'-8"	4	4'-7"	6	20'-3"	2.3	240
6'	4'	10"	3'-4"	24	4'-9"	24	5'-9"	4	4'-8"	6	23'-9"	2.7	280
6'	5'	10"	3'-4"	28	4'-9"	28	5'-9"	4	4'-8"	6	27'-4"	3.1	320
6'	6'	11"	3'-5"	30	4'-9"	30	5'-10"	4	4'-9"	6	31'-0"	3.5	350
7'	3'	9"	3'-3"	21	4'-9"	21	5'-8"	4	4'-7"	6	21'-3"	2.4	250
7'	4'	10"	3'-4"	25	4'-9"	25	5'-9"	4	4'-8"	6	24'-9"	2.8	290
7'	5'	10"	3'-4"	29	4'-9"	29	5'-9"	4	4'-8"	6	28'-4"	3.2	330
7'	6'	11"	3'-5"	31	4'-9"	31	5'-10"	4	4'-9"	6	32'-0"	3.6	370
7'	7'	11"	3'-5"	35	4'-9"	35	5'-10"	4	4'-9"	6	35'-7"	4.0	410
8'	3'	9"	3'-3"	22	4'-9"	22	5'-8"	4	4'-7"	6	22'-3"	2.6	260
8'	4'	10"	3'-4"	26	4'-9"	26	5'-9"	4	4'-8"	6	25'-9"	2.9	300
8'	5'	10"	3'-4"	30	4'-9"	30	5'-9"	4	4'-8"	6	29'-4"	3.3	350
8'	6'	11"	3'-5"	32	4'-9"	32	5'-10"	4	4'-9"	6	33'-0"	3.8	380
8'	7'	11"	3'-5"	36	4'-9"	36	5'-10"	4	4'-9"	6	36'-7"	4.2	420
8'	8'	12"	3'-6"	40	4'-9"	40	5'-11"	4	4'-10"	6	40'-0"	4.5	460
9'	3'	9"	3'-3"	23	4'-9"	23	5'-8"	4	4'-7"	6	23'-9"	2.7	270
9'	4'	10"	3'-4"	27	4'-9"	27	5'-9"	4	4'-8"	6	27'-3"	3.1	320
9'	5'	10"	3'-4"	31	4'-9"	31	5'-9"	4	4'-8"	6	30'-8"	3.5	360
9'	6'	11"	3'-5"	33	4'-9"	33	5'-10"	4	4'-9"	6	34'-2"	3.9	390
9'	7'	11"	3'-5"	37	4'-9"	37	5'-10"	4	4'-9"	6	37'-7"	4.3	430
9'	8'	12"	3'-6"	41	4'-9"	41	5'-11"	4	4'-10"	6	41'-2"	4.7	480
9'	9'	13"	3'-7"	45	4'-9"	45	6'-0"	4	4'-11"	6	44'-8"	5.0	520
10'	3'	9"	3'-3"	24	4'-9"	24	5'-8"	4	4'-7"	6	24'-9"	2.8	280
10'	4'	10"	3'-4"	28	4'-9"	28	5'-9"	4	4'-8"	6	28'-3"	3.2	330
10'	5'	10"	3'-4"	32	4'-9"	32	5'-9"	4	4'-8"	6	31'-8"	3.6	370
10'	6'	11"	3'-5"	34	4'-9"	34	5'-10"	4	4'-9"	6	35'-2"	4.0	400
10'	7'	11"	3'-5"	38	4'-9"	38	5'-10"	4	4'-9"	6	38'-7"	4.4	440
10'	8'	12"	3'-6"	42	4'-9"	42	5'-11"	4	4'-10"	6	42'-2"	4.8	490
10'	9'	13"	3'-7"	46	4'-9"	46	6'-0"	4	4'-11"	6	45'-8"	5.2	530
10'	10'	13"	3'-7"	48	4'-9"	48	6'-0"	4	4'-11"	6	49'-2"	5.5	560
11'	3'	9"	3'-3"	25	4'-9"	25	5'-8"	4	4'-7"	6	25'-9"	2.9	290
11'	4'	10"	3'-4"	29	4'-9"	29	5'-9"	4	4'-8"	6	29'-3"	3.3	340
11'	5'	10"	3'-4"	33	4'-9"	33	5'-9"	4	4'-8"	6	32'-8"	3.7	380
11'	6'	11"	3'-5"	35	4'-9"	35	5'-10"	4	4'-9"	6	36'-4"	4.1	410
11'	7'	11"	3'-5"	39	4'-9"	39	5'-10"	4	4'-9"	6	39'-9"	4.5	450
11'	8'	12"	3'-6"	43	4'-9"	43	5'-11"	4	4'-10"	6	43'-2"	4.9	500
11'	9'	13"	3'-7"	47	4'-9"	47	6'-0"	4	4'-11"	6	46'-10"	5.3	540
11'	10'	13"	3'-7"	49	4'-9"	49	6'-0"	4	4'-11"	6	50'-4"	5.7	570
11'	11'	14"	3'-8"	53	4'-9"	53	6'-1"	4	5'-0"	6	53'-10"	6.1	620
12'	5'	10"	3'-4"	34	4'-9"	34	5'-9"	4	4'-8"	6	33'-8"	3.8	390
12'	6'	11"	3'-5"	36	4'-9"	36	5'-10"	4	4'-9"	6	37'-4"	4.2	420
12'	7'	11"	3'-5"	40	4'-9"	40	5'-10"	4	4'-9"	6	40'-9"	4.6	460
12'	8'	12"	3'-6"	44	4'-9"	44	5'-11"	4	4'-10"	6	44'-2"	5.0	510
12'	9'	13"	3'-7"	48	4'-9"	48	6'-0"	4	4'-11"	6	47'-10"	5.4	550
12'	10'	13"	3'-7"	50	4'-9"	50	6'-0"	4	4'-11"	6	51'-4"	5.8	580
12'	11'	14"	3'-8"	54	4'-9"	54	6'-1"	4	5'-0"	6	54'-10"	6.2	630
12'	12'	14"	3'-8"	58	4'-9"	58	6'-1"	4	5'-0"	6	58'-3"	6.6	670



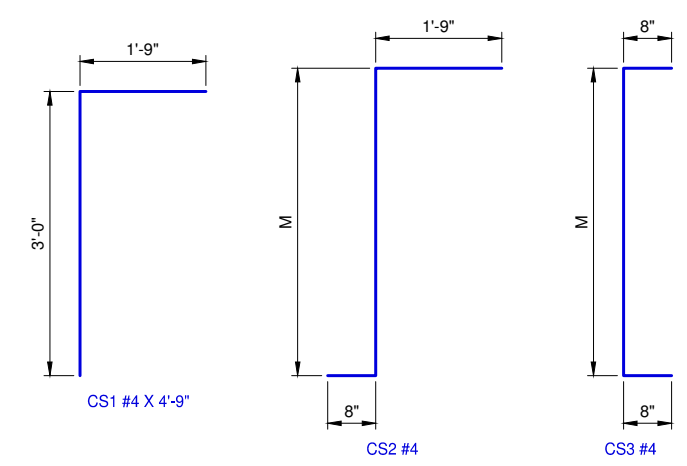
TYPICAL SECTION THRU CURTAIN WALL



TYPICAL SECTION THRU END OF CURTAIN WALL



CURTAIN WALL / APRON PLAN



REVISION NO.
DATE

The City of Oklahoma City
Public Works Department
Engineering Division

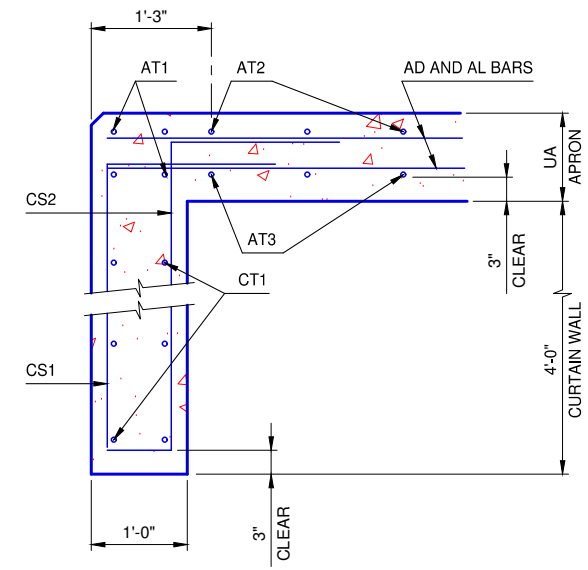
APPROVED BY: DATE: 6/22/2023
ERIC J. WENGER, P.E.
CITY ENGINEER

THESE STANDARD DRAWINGS AND ASSOCIATED CALCULATIONS HAVE BEEN PREPARED BY CEC CORPORATION UNDER CONTRACT WITH THE CITY OF OKLAHOMA CITY.

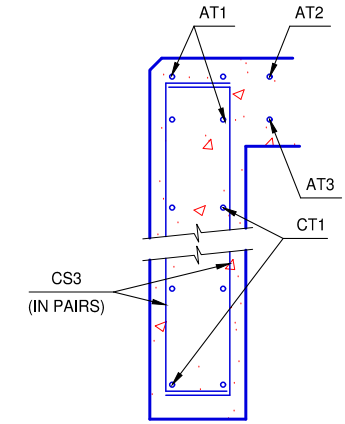
R.C.B. CULVERTS - CURTAIN WALL DETAILS
SINGLE CELL - 3'-0" DEPTH - 0° SKEW

Drawing Number
RCB-036

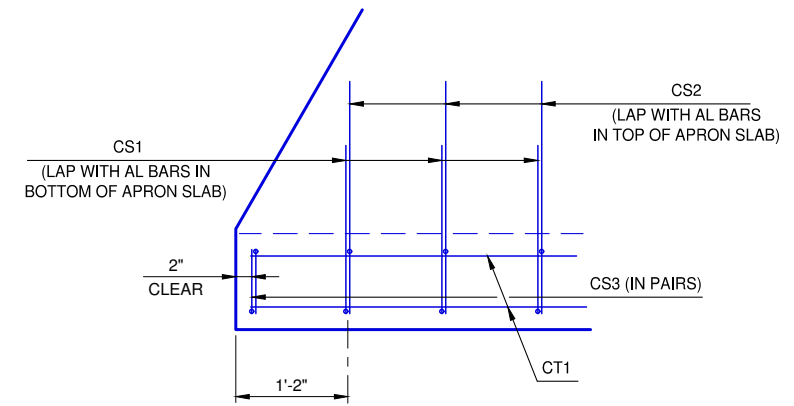
DIMENSIONS				REINFORCING STEEL								QUANTITIES	
CELL SPAN	CELL HEIGHT	UA	M	CS1 - #4		CS2 - #4		CS3 - #4		CT1 - #4 AT 12" MAX.		CONC. (C.Y.)	REINF. (LB.)
				NO.	LENGTH	NO.	LENGTH	NO.	LENGTH	NO.	LENGTH		
4'	3'	9"	4'-3"	18	5'-9"	18	6'-8"	4	5'-7"	8	18'-3"	2.8	270
4'	4'	10"	4'-4"	22	5'-9"	22	6'-9"	4	5'-8"	8	21'-9"	3.3	320
5'	3'	9"	4'-3"	19	5'-9"	19	6'-8"	4	5'-7"	8	19'-3"	3.0	280
5'	4'	10"	4'-4"	23	5'-9"	23	6'-9"	4	5'-8"	8	22'-9"	3.5	330
5'	5'	10"	4'-4"	27	5'-9"	27	6'-9"	4	5'-8"	8	26'-4"	4.0	390
6'	3'	9"	4'-3"	20	5'-9"	20	6'-8"	4	5'-7"	8	20'-3"	3.1	290
6'	4'	10"	4'-4"	24	5'-9"	24	6'-9"	4	5'-8"	8	23'-9"	3.6	350
6'	5'	10"	4'-4"	28	5'-9"	28	6'-9"	4	5'-8"	8	27'-4"	4.1	400
6'	6'	11"	4'-5"	30	5'-9"	30	6'-10"	4	5'-9"	8	31'-0"	4.7	440
7'	3'	9"	4'-3"	21	5'-9"	21	6'-8"	4	5'-7"	8	21'-3"	3.2	310
7'	4'	10"	4'-4"	25	5'-9"	25	6'-9"	4	5'-8"	8	24'-9"	3.8	360
7'	5'	10"	4'-4"	29	5'-9"	29	6'-9"	4	5'-8"	8	28'-4"	4.3	410
7'	6'	11"	4'-5"	31	5'-9"	31	6'-10"	4	5'-9"	8	32'-0"	4.8	450
7'	7'	11"	4'-5"	35	5'-9"	35	6'-10"	4	5'-9"	8	35'-7"	5.4	500
8'	3'	9"	4'-3"	22	5'-9"	22	6'-8"	4	5'-7"	8	22'-3"	3.4	320
8'	4'	10"	4'-4"	26	5'-9"	26	6'-9"	4	5'-8"	8	25'-9"	3.9	370
8'	5'	10"	4'-4"	30	5'-9"	30	6'-9"	4	5'-8"	8	29'-4"	4.4	430
8'	6'	11"	4'-5"	32	5'-9"	32	6'-10"	4	5'-9"	8	33'-0"	5.0	470
8'	7'	11"	4'-5"	36	5'-9"	36	6'-10"	4	5'-9"	8	36'-7"	5.5	520
8'	8'	12"	4'-6"	40	5'-9"	40	6'-11"	4	5'-10"	8	40'-0"	6.0	570
9'	3'	9"	4'-3"	23	5'-9"	23	6'-8"	4	5'-7"	8	23'-9"	3.6	340
9'	4'	10"	4'-4"	27	5'-9"	27	6'-9"	4	5'-8"	8	27'-3"	4.1	390
9'	5'	10"	4'-4"	31	5'-9"	31	6'-9"	4	5'-8"	8	30'-8"	4.6	440
9'	6'	11"	4'-5"	33	5'-9"	33	6'-10"	4	5'-9"	8	34'-2"	5.2	480
9'	7'	11"	4'-5"	37	5'-9"	37	6'-10"	4	5'-9"	8	37'-7"	5.7	530
9'	8'	12"	4'-6"	41	5'-9"	41	6'-11"	4	5'-10"	8	41'-2"	6.2	590
9'	9'	13"	4'-7"	45	5'-9"	45	7'-0"	4	5'-11"	8	44'-8"	6.7	640
10'	3'	9"	4'-3"	24	5'-9"	24	6'-8"	4	5'-7"	8	24'-9"	3.8	350
10'	4'	10"	4'-4"	28	5'-9"	28	6'-9"	4	5'-8"	8	28'-3"	4.3	400
10'	5'	10"	4'-4"	32	5'-9"	32	6'-9"	4	5'-8"	8	31'-8"	4.8	460
10'	6'	11"	4'-5"	34	5'-9"	34	6'-10"	4	5'-9"	8	35'-2"	5.3	490
10'	7'	11"	4'-5"	38	5'-9"	38	6'-10"	4	5'-9"	8	38'-7"	5.8	550
10'	8'	12"	4'-6"	42	5'-9"	42	6'-11"	4	5'-10"	8	42'-2"	6.3	600
10'	9'	13"	4'-7"	46	5'-9"	46	7'-0"	4	5'-11"	8	45'-8"	6.9	660
10'	10'	13"	4'-7"	48	5'-9"	48	7'-0"	4	5'-11"	8	49'-2"	7.4	690
11'	3'	9"	4'-3"	25	5'-9"	25	6'-8"	4	5'-7"	8	25'-9"	3.9	360
11'	4'	10"	4'-4"	29	5'-9"	29	6'-9"	4	5'-8"	8	29'-3"	4.4	420
11'	5'	10"	4'-4"	33	5'-9"	33	6'-9"	4	5'-8"	8	32'-8"	4.9	470
11'	6'	11"	4'-5"	35	5'-9"	35	6'-10"	4	5'-9"	8	36'-4"	5.5	510
11'	7'	11"	4'-5"	39	5'-9"	39	6'-10"	4	5'-9"	8	39'-9"	6.0	560
11'	8'	12"	4'-6"	43	5'-9"	43	6'-11"	4	5'-10"	8	43'-2"	6.5	620
11'	9'	13"	4'-7"	47	5'-9"	47	7'-0"	4	5'-11"	8	46'-10"	7.0	670
11'	10'	13"	4'-7"	49	5'-9"	49	7'-0"	4	5'-11"	8	50'-4"	7.6	710
11'	11'	14"	4'-8"	53	5'-9"	53	7'-1"	4	6'-0"	8	53'-10"	8.1	760
12'	5'	10"	4'-4"	34	5'-9"	34	6'-9"	4	5'-8"	8	33'-8"	5.1	480
12'	6'	11"	4'-5"	36	5'-9"	36	6'-10"	4	5'-9"	8	37'-4"	5.6	520
12'	7'	11"	4'-5"	40	5'-9"	40	6'-10"	4	5'-9"	8	40'-9"	6.1	570
12'	8'	12"	4'-6"	44	5'-9"	44	6'-11"	4	5'-10"	8	44'-2"	6.6	630
12'	9'	13"	4'-7"	48	5'-9"	48	7'-0"	4	5'-11"	8	47'-10"	7.2	690
12'	10'	13"	4'-7"	50	5'-9"	50	7'-0"	4	5'-11"	8	51'-4"	7.7	720
12'	11'	14"	4'-8"	54	5'-9"	54	7'-1"	4	6'-0"	8	54'-10"	8.2	780
12'	12'	14"	4'-8"	58	5'-9"	58	7'-1"	4	6'-0"	8	58'-3"	8.7	830



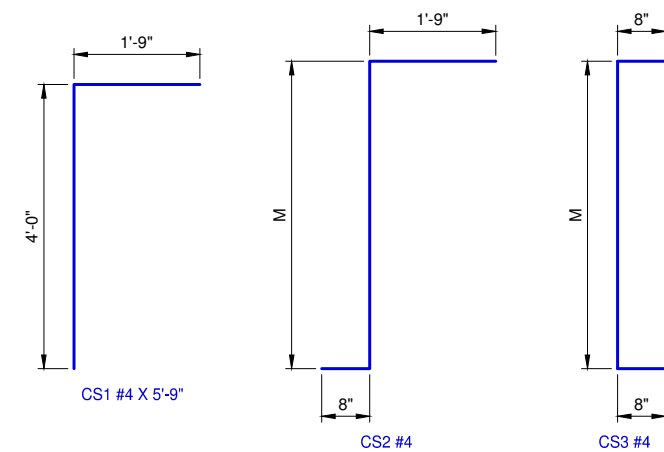
TYPICAL SECTION THRU CURTAIN WALL



TYPICAL SECTION THRU END OF CURTAIN WALL

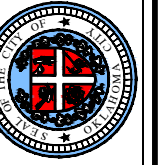


CURTAIN WALL / APRON PLAN



REVISION NO.
DATE

The City of
Oklahoma City
Public Works Department
Engineering Division



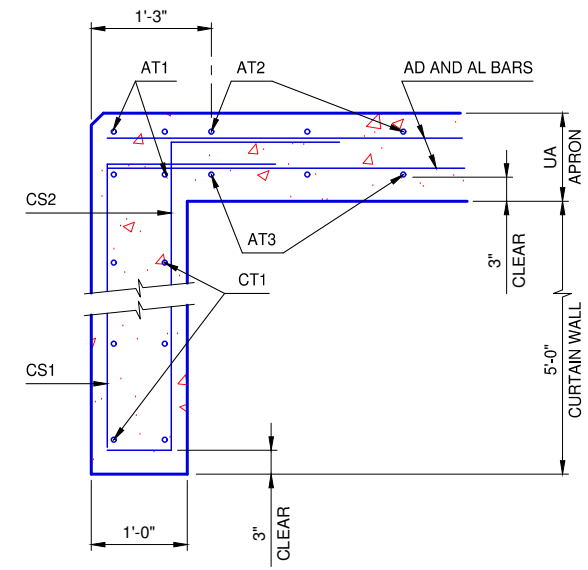
APPROVED BY: DATE: 6/22/2023
ERIC J. WENGER, P.E.
CITY ENGINEER

THESE STANDARD DRAWINGS AND ASSOCIATED CALCULATIONS HAVE BEEN PREPARED BY CEC CORPORATION UNDER CONTRACT WITH THE CITY OF OKLAHOMA CITY.

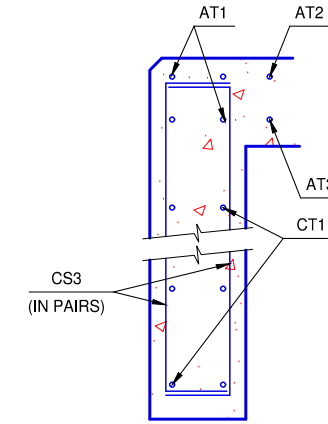
R.C.B. CULVERTS - CURTAIN WALL DETAILS
SINGLE CELL - 4'-0" DEPTH - 0° SKEW

Drawing Number
RCB-037

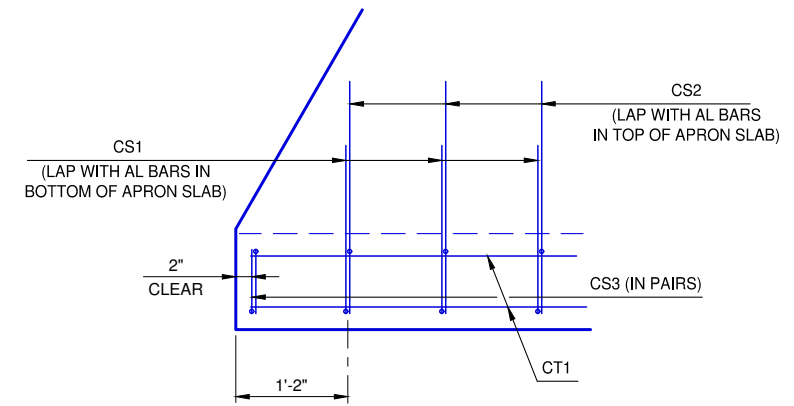
DIMENSIONS				REINFORCING STEEL								QUANTITIES	
CELL SPAN	CELL HEIGHT	UA	M	CS1 - #5		CS2 - #5		CS3 - #5		CT1 - #4 AT 12" MAX.		CONC. (C.Y.)	REINF. (LB.)
				NO.	LENGTH	NO.	LENGTH	NO.	LENGTH	NO.	LENGTH		
4'	3'	9"	5'-3"	18	6'-9"	18	7'-8"	4	6'-7"	10	18'-3"	3.5	430
4'	4'	10"	5'-4"	22	6'-9"	22	7'-9"	4	6'-8"	10	21'-9"	4.1	510
5'	3'	9"	5'-3"	19	6'-9"	19	7'-8"	4	6'-7"	10	19'-3"	3.7	450
5'	4'	10"	5'-4"	23	6'-9"	23	7'-9"	4	6'-8"	10	22'-9"	4.3	530
5'	5'	10"	5'-4"	27	6'-9"	27	7'-9"	4	6'-8"	10	26'-4"	5.0	620
6'	3'	9"	5'-3"	20	6'-9"	20	7'-8"	4	6'-7"	10	20'-3"	3.9	470
6'	4'	10"	5'-4"	24	6'-9"	24	7'-9"	4	6'-8"	10	23'-9"	4.5	550
6'	5'	10"	5'-4"	28	6'-9"	28	7'-9"	4	6'-8"	10	27'-4"	5.2	640
6'	6'	11"	5'-5"	30	6'-9"	30	7'-10"	4	6'-9"	10	31'-0"	5.9	700
7'	3'	9"	5'-3"	21	6'-9"	21	7'-8"	4	6'-7"	10	21'-3"	4.0	490
7'	4'	10"	5'-4"	25	6'-9"	25	7'-9"	4	6'-8"	10	24'-9"	4.7	580
7'	5'	10"	5'-4"	29	6'-9"	29	7'-9"	4	6'-8"	10	28'-4"	5.4	660
7'	6'	11"	5'-5"	31	6'-9"	31	7'-10"	4	6'-9"	10	32'-0"	6.0	720
7'	7'	11"	5'-5"	35	6'-9"	35	7'-10"	4	6'-9"	10	35'-7"	6.7	800
8'	3'	9"	5'-3"	22	6'-9"	22	7'-8"	4	6'-7"	10	22'-3"	4.2	510
8'	4'	10"	5'-4"	26	6'-9"	26	7'-9"	4	6'-8"	10	25'-9"	4.9	600
8'	5'	10"	5'-4"	30	6'-9"	30	7'-9"	4	6'-8"	10	29'-4"	5.5	680
8'	6'	11"	5'-5"	32	6'-9"	32	7'-10"	4	6'-9"	10	33'-0"	6.2	740
8'	7'	11"	5'-5"	36	6'-9"	36	7'-10"	4	6'-9"	10	36'-7"	6.9	830
8'	8'	12"	5'-6"	40	6'-9"	40	7'-11"	4	6'-10"	10	40'-0"	7.5	910
9'	3'	9"	5'-3"	23	6'-9"	23	7'-8"	4	6'-7"	10	23'-9"	4.5	540
9'	4'	10"	5'-4"	27	6'-9"	27	7'-9"	4	6'-8"	10	27'-3"	5.2	620
9'	5'	10"	5'-4"	31	6'-9"	31	7'-9"	4	6'-8"	10	30'-8"	5.8	710
9'	6'	11"	5'-5"	33	6'-9"	33	7'-10"	4	6'-9"	10	34'-2"	6.4	760
9'	7'	11"	5'-5"	37	6'-9"	37	7'-10"	4	6'-9"	10	37'-7"	7.1	850
9'	8'	12"	5'-6"	41	6'-9"	41	7'-11"	4	6'-10"	10	41'-2"	7.7	940
9'	9'	13"	5'-7"	45	6'-9"	45	8'-0"	4	6'-11"	10	44'-8"	8.4	1,020
10'	3'	9"	5'-3"	24	6'-9"	24	7'-8"	4	6'-7"	10	24'-9"	4.7	560
10'	4'	10"	5'-4"	28	6'-9"	28	7'-9"	4	6'-8"	10	28'-3"	5.3	640
10'	5'	10"	5'-4"	32	6'-9"	32	7'-9"	4	6'-8"	10	31'-8"	6.0	730
10'	6'	11"	5'-5"	34	6'-9"	34	7'-10"	4	6'-9"	10	35'-2"	6.6	790
10'	7'	11"	5'-5"	38	6'-9"	38	7'-10"	4	6'-9"	10	38'-7"	7.3	870
10'	8'	12"	5'-6"	42	6'-9"	42	7'-11"	4	6'-10"	10	42'-2"	7.9	960
10'	9'	13"	5'-7"	46	6'-9"	46	8'-0"	4	6'-11"	10	45'-8"	8.6	1,050
10'	10'	13"	5'-7"	48	6'-9"	48	8'-0"	4	6'-11"	10	49'-2"	9.2	1,100
11'	3'	9"	5'-3"	25	6'-9"	25	7'-8"	4	6'-7"	10	25'-9"	4.9	580
11'	4'	10"	5'-4"	29	6'-9"	29	7'-9"	4	6'-8"	10	29'-3"	5.5	670
11'	5'	10"	5'-4"	33	6'-9"	33	7'-9"	4	6'-8"	10	32'-8"	6.2	750
11'	6'	11"	5'-5"	35	6'-9"	35	7'-10"	4	6'-9"	10	36'-4"	6.8	810
11'	7'	11"	5'-5"	39	6'-9"	39	7'-10"	4	6'-9"	10	39'-9"	7.5	890
11'	8'	12"	5'-6"	43	6'-9"	43	7'-11"	4	6'-10"	10	43'-2"	8.1	980
11'	9'	13"	5'-7"	47	6'-9"	47	8'-0"	4	6'-11"	10	46'-10"	8.8	1,070
11'	10'	13"	5'-7"	49	6'-9"	49	8'-0"	4	6'-11"	10	50'-4"	9.4	1,120
11'	11'	14"	5'-8"	53	6'-9"	53	8'-1"	4	7'-0"	10	53'-10"	10.1	1,210
12'	5'	10"	5'-4"	34	6'-9"	34	7'-9"	4	6'-8"	10	33'-8"	6.3	770
12'	6'	11"	5'-5"	36	6'-9"	36	7'-10"	4	6'-9"	10	37'-4"	7.0	830
12'	7'	11"	5'-5"	40	6'-9"	40	7'-10"	4	6'-9"	10	40'-9"	7.7	910
12'	8'	12"	5'-6"	44	6'-9"	44	7'-11"	4	6'-10"	10	44'-2"	8.3	1,000
12'	9'	13"	5'-7"	48	6'-9"	48	8'-0"	4	6'-11"	10	47'-10"	9.0	1,090
12'	10'	13"	5'-7"	50	6'-9"	50	8'-0"	4	6'-11"	10	51'-4"	9.6	1,150
12'	11'	14"	5'-8"	54	6'-9"	54	8'-1"	4	7'-0"	10	54'-10"	10.3	1,240
12'	12'	14"	5'-8"	58	6'-9"	58	8'-1"	4	7'-0"	10	58'-3"	10.9	1,320



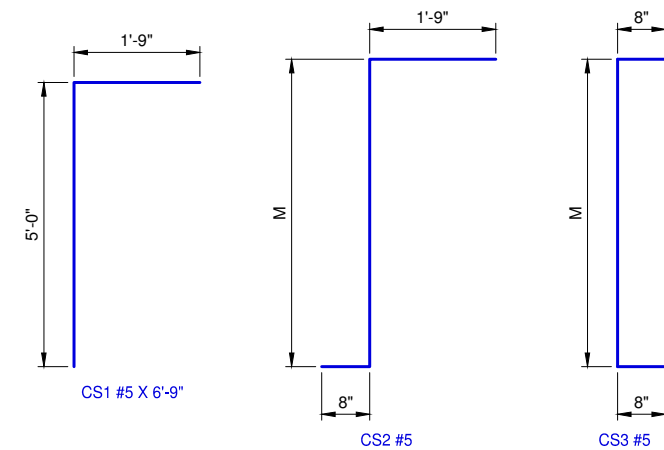
TYPICAL SECTION THRU CURTAIN WALL



TYPICAL SECTION THRU END OF CURTAIN WALL

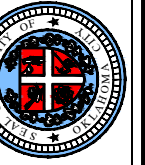


CURTAIN WALL / APRON PLAN



REVISION NO.
DATE

The City of
Oklahoma City
Public Works Department
Engineering Division

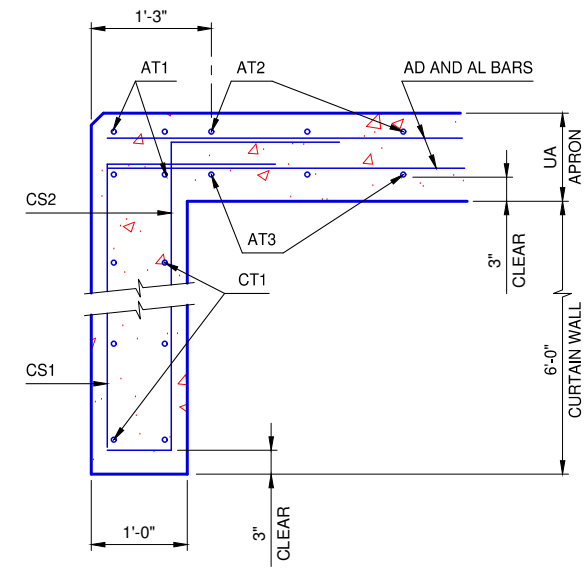


APPROVED BY: DATE: 6/22/2023
ERIC J. WENGER, P.E.
CITY ENGINEER
THESE STANDARD DRAWINGS AND ASSOCIATED CALCULATIONS HAVE BEEN PREPARED BY CEC CORPORATION UNDER CONTRACT WITH THE CITY OF OKLAHOMA CITY.

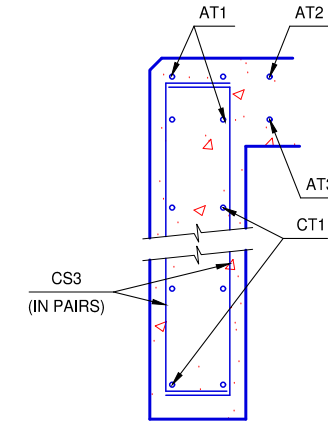
R.C.B. CULVERTS - CURTAIN WALL DETAILS
SINGLE CELL - 5'-0" DEPTH - 0° SKEW

Drawing Number
RCB-038

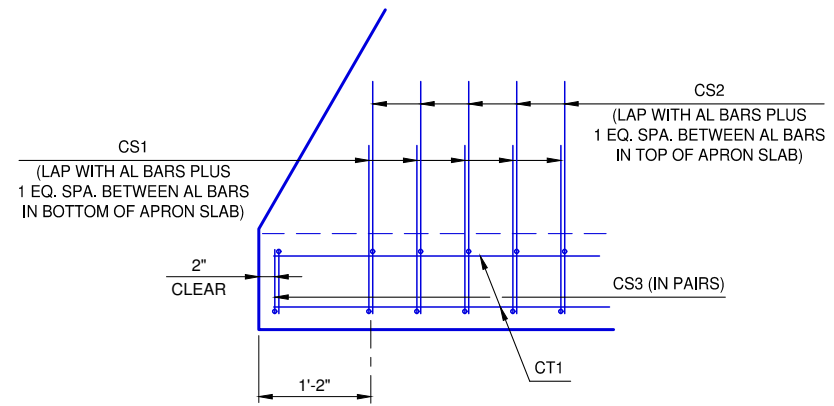
DIMENSIONS				REINFORCING STEEL								QUANTITIES	
CELL SPAN	CELL HEIGHT	UA	M	CS1 - #5		CS2 - #5		CS3 - #5		CT1 - #4 AT 12" MAX.		CONC. (C.Y.)	REINF. (LB.)
				NO.	LENGTH	NO.	LENGTH	NO.	LENGTH	NO.	LENGTH		
4'	3'	9"	6'-3"	35	7'-9"	35	8'-8"	4	7'-7"	12	18'-3"	4.2	780
4'	4'	10"	6'-4"	43	7'-9"	43	8'-9"	4	7'-8"	12	21'-9"	5.0	950
5'	3'	9"	6'-3"	37	7'-9"	37	8'-8"	4	7'-7"	12	19'-3"	4.4	820
5'	4'	10"	6'-4"	45	7'-9"	45	8'-9"	4	7'-8"	12	22'-9"	5.2	990
5'	5'	10"	6'-4"	53	7'-9"	53	8'-9"	4	7'-8"	12	26'-4"	6.0	1,160
6'	3'	9"	6'-3"	39	7'-9"	39	8'-8"	4	7'-7"	12	20'-3"	4.6	870
6'	4'	10"	6'-4"	47	7'-9"	47	8'-9"	4	7'-8"	12	23'-9"	5.4	1,040
6'	5'	10"	6'-4"	55	7'-9"	55	8'-9"	4	7'-8"	12	27'-4"	6.2	1,200
6'	6'	11"	6'-5"	59	7'-9"	59	8'-10"	4	7'-9"	12	31'-0"	7.0	1,310
7'	3'	9"	6'-3"	41	7'-9"	41	8'-8"	4	7'-7"	12	21'-3"	4.8	910
7'	4'	10"	6'-4"	49	7'-9"	49	8'-9"	4	7'-8"	12	24'-9"	5.6	1,080
7'	5'	10"	6'-4"	57	7'-9"	57	8'-9"	4	7'-8"	12	28'-4"	6.4	1,250
7'	6'	11"	6'-5"	61	7'-9"	61	8'-10"	4	7'-9"	12	32'-0"	7.2	1,350
7'	7'	11"	6'-5"	69	7'-9"	69	8'-10"	4	7'-9"	12	35'-7"	8.0	1,520
8'	3'	9"	6'-3"	43	7'-9"	43	8'-8"	4	7'-7"	12	22'-3"	5.1	950
8'	4'	10"	6'-4"	51	7'-9"	51	8'-9"	4	7'-8"	12	25'-9"	5.8	1,120
8'	5'	10"	6'-4"	59	7'-9"	59	8'-9"	4	7'-8"	12	29'-4"	6.6	1,290
8'	6'	11"	6'-5"	63	7'-9"	63	8'-10"	4	7'-9"	12	33'-0"	7.5	1,390
8'	7'	11"	6'-5"	71	7'-9"	71	8'-10"	4	7'-9"	12	36'-7"	8.3	1,560
8'	8'	12"	6'-6"	79	7'-9"	79	8'-11"	4	7'-10"	12	40'-0"	9.0	1,730
9'	3'	9"	6'-3"	45	7'-9"	45	8'-8"	4	7'-7"	12	23'-9"	5.4	1,000
9'	4'	10"	6'-4"	53	7'-9"	53	8'-9"	4	7'-8"	12	27'-3"	6.2	1,170
9'	5'	10"	6'-4"	61	7'-9"	61	8'-9"	4	7'-8"	12	30'-8"	6.9	1,330
9'	6'	11"	6'-5"	65	7'-9"	65	8'-10"	4	7'-9"	12	34'-2"	7.7	1,440
9'	7'	11"	6'-5"	73	7'-9"	73	8'-10"	4	7'-9"	12	37'-7"	8.5	1,600
9'	8'	12"	6'-6"	81	7'-9"	81	8'-11"	4	7'-10"	12	41'-2"	9.3	1,780
9'	9'	13"	6'-7"	89	7'-9"	89	9'-0"	4	7'-11"	12	44'-8"	10.0	1,950
10'	3'	9"	6'-3"	47	7'-9"	47	8'-8"	4	7'-7"	12	24'-9"	5.6	1,040
10'	4'	10"	6'-4"	55	7'-9"	55	8'-9"	4	7'-8"	12	28'-3"	6.4	1,210
10'	5'	10"	6'-4"	63	7'-9"	63	8'-9"	4	7'-8"	12	31'-8"	7.2	1,380
10'	6'	11"	6'-5"	67	7'-9"	67	8'-10"	4	7'-9"	12	35'-2"	7.9	1,480
10'	7'	11"	6'-5"	75	7'-9"	75	8'-10"	4	7'-9"	12	38'-7"	8.7	1,640
10'	8'	12"	6'-6"	83	7'-9"	83	8'-11"	4	7'-10"	12	42'-2"	9.5	1,820
10'	9'	13"	6'-7"	91	7'-9"	91	9'-0"	4	7'-11"	12	45'-8"	10.3	1,990
10'	10'	13"	6'-7"	95	7'-9"	95	9'-0"	4	7'-11"	12	49'-2"	11.0	2,090
11'	3'	9"	6'-3"	49	7'-9"	49	8'-8"	4	7'-7"	12	25'-9"	5.8	1,080
11'	4'	10"	6'-4"	57	7'-9"	57	8'-9"	4	7'-8"	12	29'-3"	6.6	1,250
11'	5'	10"	6'-4"	65	7'-9"	65	8'-9"	4	7'-8"	12	32'-8"	7.4	1,420
11'	6'	11"	6'-5"	69	7'-9"	69	8'-10"	4	7'-9"	12	36'-4"	8.2	1,520
11'	7'	11"	6'-5"	77	7'-9"	77	8'-10"	4	7'-9"	12	39'-9"	9.0	1,690
11'	8'	12"	6'-6"	85	7'-9"	85	8'-11"	4	7'-10"	12	43'-2"	9.7	1,860
11'	9'	13"	6'-7"	93	7'-9"	93	9'-0"	4	7'-11"	12	46'-10"	10.5	2,040
11'	10'	13"	6'-7"	97	7'-9"	97	9'-0"	4	7'-11"	12	50'-4"	11.3	2,140
11'	11'	14"	6'-8"	105	7'-9"	105	9'-1"	4	8'-0"	12	53'-10"	12.1	2,310
12'	5'	10"	6'-4"	67	7'-9"	67	8'-9"	4	7'-8"	12	33'-8"	7.6	1,460
12'	6'	11"	6'-5"	71	7'-9"	71	8'-10"	4	7'-9"	12	37'-4"	8.4	1,560
12'	7'	11"	6'-5"	79	7'-9"	79	8'-10"	4	7'-9"	12	40'-9"	9.2	1,730
12'	8'	12"	6'-6"	87	7'-9"	87	8'-11"	4	7'-10"	12	44'-2"	9.9	1,900
12'	9'	13"	6'-7"	95	7'-9"	95	9'-0"	4	7'-11"	12	47'-10"	10.8	2,080
12'	10'	13"	6'-7"	99	7'-9"	99	9'-0"	4	7'-11"	12	51'-4"	11.5	2,180
12'	11'	14"	6'-8"	107	7'-9"	107	9'-1"	4	8'-0"	12	54'-10"	12.3	2,360
12'	12'	14"	6'-8"	115	7'-9"	115	9'-1"	4	8'-0"	12	58'-3"	13.1	2,520



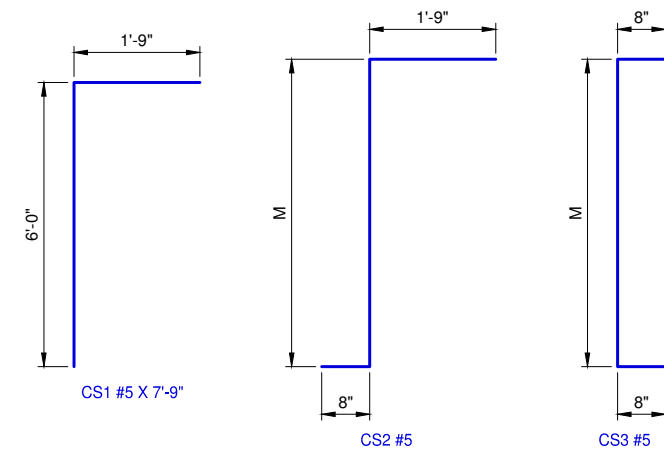
TYPICAL SECTION THRU CURTAIN WALL



TYPICAL SECTION THRU END OF CURTAIN WALL

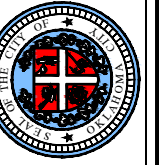


CURTAIN WALL / APRON PLAN



REVISION NO.
DATE

The City of
Oklahoma City
Public Works Department
Engineering Division



APPROVED BY: DATE: 6/22/2023
ERIC J. WENGER, P.E.
CITY ENGINEER

THESE STANDARD DRAWINGS AND ASSOCIATED CALCULATIONS HAVE BEEN PREPARED BY CEC CORPORATION UNDER CONTRACT WITH THE CITY OF OKLAHOMA CITY.

R.C.B. CULVERTS - CURTAIN WALL DETAILS
SINGLE CELL - 6'-0" DEPTH - 0° SKEW

Drawing Number
RCB-039