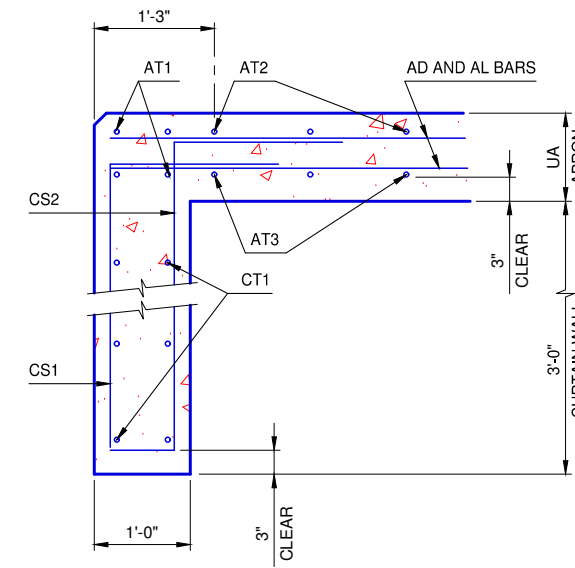
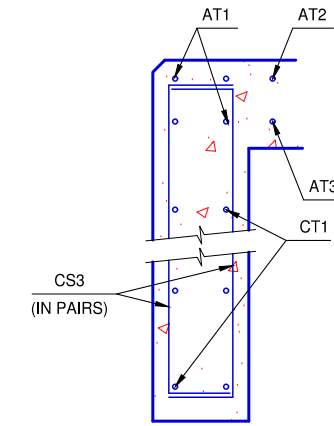


DIMENSIONS				REINFORCING STEEL								QUANTITIES	
CELL SPAN	CELL HEIGHT	UA	M	CS1 - #4		CS2 - #4		CS3 - #4		CT1 - #4 AT 12" MAX.		CONC. (C.Y.)	REINF. (LB.)
				NO.	LENGTH	NO.	LENGTH	NO.	LENGTH	NO.	LENGTH		
5'	3'	9"	3'-3"	26	4'-9"	26	5'-8"	4	4'-7"	6	25'-7"	2.9	300
5'	4'	10"	3'-4"	30	4'-9"	30	5'-9"	4	4'-8"	6	29'-1"	3.3	340
5'	5'	10"	3'-4"	34	4'-9"	34	5'-9"	4	4'-8"	6	32'-6"	3.7	390
6'	3'	9"	3'-3"	28	4'-9"	28	5'-8"	4	4'-7"	6	27'-7"	3.2	320
6'	4'	10"	3'-4"	32	4'-9"	32	5'-9"	4	4'-8"	6	31'-1"	3.5	370
6'	5'	10"	3'-4"	36	4'-9"	36	5'-9"	4	4'-8"	6	34'-6"	3.9	410
6'	6'	11"	3'-5"	38	4'-9"	38	5'-10"	4	4'-9"	6	38'-0"	4.3	440
7'	3'	9"	3'-3"	30	4'-9"	30	5'-8"	4	4'-7"	6	29'-7"	3.4	340
7'	4'	10"	3'-4"	34	4'-9"	34	5'-9"	4	4'-8"	6	33'-1"	3.8	390
7'	5'	10"	3'-4"	38	4'-9"	38	5'-9"	4	4'-8"	6	36'-6"	4.1	430
7'	6'	11"	3'-5"	40	4'-9"	40	5'-10"	4	4'-9"	6	40'-0"	4.5	460
7'	7'	11"	3'-5"	44	4'-9"	44	5'-10"	4	4'-9"	6	43'-5"	4.9	500
8'	3'	9"	3'-3"	32	4'-9"	32	5'-8"	4	4'-7"	6	31'-7"	3.6	370
8'	4'	10"	3'-4"	36	4'-9"	36	5'-9"	4	4'-8"	6	35'-1"	4.0	410
8'	5'	10"	3'-4"	40	4'-9"	40	5'-9"	4	4'-8"	6	38'-6"	4.4	450
8'	6'	11"	3'-5"	42	4'-9"	42	5'-10"	4	4'-9"	6	42'-0"	4.8	480
8'	7'	11"	3'-5"	46	4'-9"	46	5'-10"	4	4'-9"	6	45'-5"	5.1	520
8'	8'	12"	3'-6"	50	4'-9"	50	5'-11"	4	4'-10"	6	49'-1"	5.5	570
9'	3'	9"	3'-3"	34	4'-9"	34	5'-8"	4	4'-7"	6	33'-7"	3.8	390
9'	4'	10"	3'-4"	38	4'-9"	38	5'-9"	4	4'-8"	6	37'-1"	4.2	430
9'	5'	10"	3'-4"	42	4'-9"	42	5'-9"	4	4'-8"	6	40'-6"	4.6	470
9'	6'	11"	3'-5"	44	4'-9"	44	5'-10"	4	4'-9"	6	44'-0"	5.0	510
9'	7'	11"	3'-5"	48	4'-9"	48	5'-10"	4	4'-9"	6	47'-5"	5.4	550
9'	8'	12"	3'-6"	52	4'-9"	52	5'-11"	4	4'-10"	6	51'-1"	5.8	590
9'	9'	13"	3'-7"	56	4'-9"	56	6'-0"	4	4'-11"	6	54'-7"	6.2	640
10'	3'	9"	3'-3"	36	4'-9"	36	5'-8"	4	4'-7"	6	35'-7"	4.0	410
10'	4'	10"	3'-4"	40	4'-9"	40	5'-9"	4	4'-8"	6	39'-1"	4.4	450
10'	5'	10"	3'-4"	44	4'-9"	44	5'-9"	4	4'-8"	6	42'-6"	4.8	500
10'	6'	11"	3'-5"	46	4'-9"	46	5'-10"	4	4'-9"	6	46'-0"	5.2	530
10'	7'	11"	3'-5"	50	4'-9"	50	5'-10"	4	4'-9"	6	49'-8"	5.6	570
10'	8'	12"	3'-6"	54	4'-9"	54	5'-11"	4	4'-10"	6	53'-1"	6.0	620
10'	9'	13"	3'-7"	58	4'-9"	58	6'-0"	4	4'-11"	6	56'-7"	6.4	660
10'	10'	13"	3'-7"	60	4'-9"	60	6'-0"	4	4'-11"	6	① 62'-10"	6.8	700
11'	3'	9"	3'-3"	38	4'-9"	38	5'-8"	4	4'-7"	6	37'-7"	4.3	430
11'	4'	10"	3'-4"	42	4'-9"	42	5'-9"	4	4'-8"	6	41'-1"	4.7	480
11'	5'	10"	3'-4"	46	4'-9"	46	5'-9"	4	4'-8"	6	44'-6"	5.0	520
11'	6'	11"	3'-5"	48	4'-9"	48	5'-10"	4	4'-9"	6	48'-3"	5.4	550
11'	7'	11"	3'-5"	52	4'-9"	52	5'-10"	4	4'-9"	6	51'-8"	5.8	590
11'	8'	12"	3'-6"	56	4'-9"	56	5'-11"	4	4'-10"	6	55'-1"	6.2	640
11'	9'	13"	3'-7"	60	4'-9"	60	6'-0"	4	4'-11"	6	58'-7"	6.6	680
11'	10'	13"	3'-7"	62	4'-9"	62	6'-0"	4	4'-11"	6	① 64'-10"	7.0	720
11'	11'	14"	3'-8"	66	4'-9"	66	6'-1"	4	5'-0"	6	① 68'-4"	7.4	770
12'	5'	10"	3'-4"	48	4'-9"	48	5'-9"	4	4'-8"	6	46'-9"	5.3	540
12'	6'	11"	3'-5"	50	4'-9"	50	5'-10"	4	4'-9"	6	50'-3"	5.7	570
12'	7'	11"	3'-5"	54	4'-9"	54	5'-10"	4	4'-9"	6	53'-8"	6.0	610
12'	8'	12"	3'-6"	58	4'-9"	58	5'-11"	4	4'-10"	6	57'-4"	6.5	660
12'	9'	13"	3'-7"	62	4'-9"	62	6'-0"	4	4'-11"	6	① 63'-4"	6.8	720
12'	10'	13"	3'-7"	64	4'-9"	64	6'-0"	4	4'-11"	6	① 66'-10"	7.2	750
12'	11'	14"	3'-8"	68	4'-9"	68	6'-1"	4	5'-0"	6	① 70'-4"	7.6	790
12'	12'	14"	3'-8"	72	4'-9"	72	6'-1"	4	5'-0"	6	① 73'-9"	8.0	830

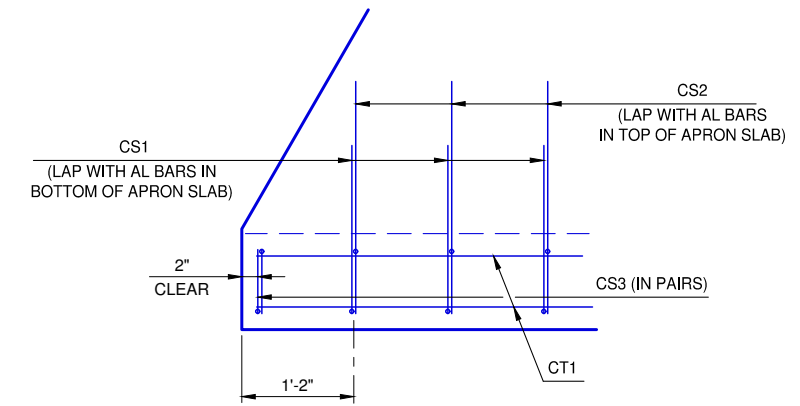
① LENGTH INCLUDES 2'-6" LAP



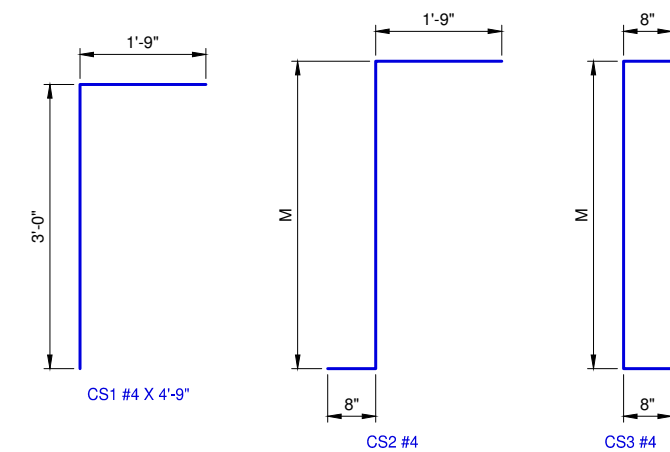
TYPICAL SECTION THRU CURTAIN WALL



TYPICAL SECTION THRU END OF CURTAIN WALL

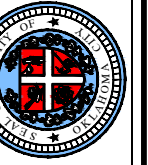


CURTAIN WALL / APRON PLAN



REVISION NO.
DATE

The City of
Oklahoma City
Public Works Department
Engineering Division



APPROVED BY: DATE: 6/22/2023
ERIC J. WENGER, P.E.
CITY ENGINEER

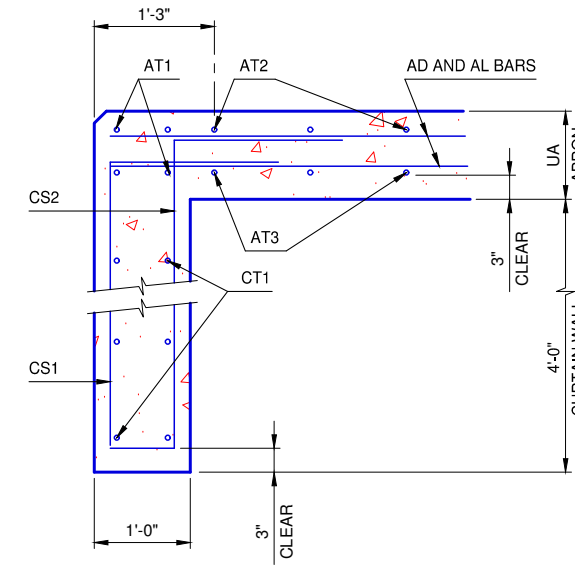
THESE STANDARD DRAWINGS AND ASSOCIATED CALCULATIONS HAVE BEEN PREPARED BY CEC CORPORATION UNDER CONTRACT WITH THE CITY OF OKLAHOMA CITY.

R.C.B. CULVERTS - CURTAIN WALL DETAILS
DOUBLE CELL - 3'-0" DEPTH - 0° SKEW

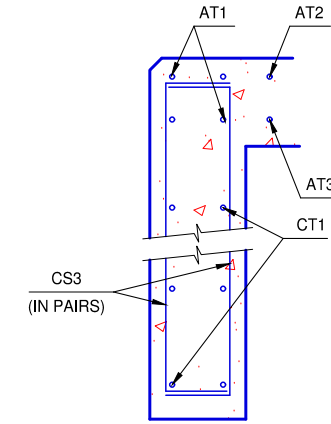
Drawing Number
RCB-060

DIMENSIONS				REINFORCING STEEL								QUANTITIES	
CELL SPAN	CELL HEIGHT	UA	M	CS1 - #4		CS2 - #4		CS3 - #4		CT1 - #4 AT 12" MAX.		CONC. (C.Y.)	REINF. (LB.)
				NO.	LENGTH	NO.	LENGTH	NO.	LENGTH	NO.	LENGTH		
5'	3'	9"	4'-3"	26	5'-9"	26	6'-8"	4	5'-7"	8	25'-7"	3.9	370
5'	4'	10"	4'-4"	30	5'-9"	30	6'-9"	4	5'-8"	8	29'-1"	4.4	430
5'	5'	10"	4'-4"	34	5'-9"	34	6'-9"	4	5'-8"	8	32'-6"	4.9	480
6'	3'	9"	4'-3"	28	5'-9"	28	6'-8"	4	5'-7"	8	27'-7"	4.2	400
6'	4'	10"	4'-4"	32	5'-9"	32	6'-9"	4	5'-8"	8	31'-1"	4.7	450
6'	5'	10"	4'-4"	36	5'-9"	36	6'-9"	4	5'-8"	8	34'-6"	5.2	510
6'	6'	11"	4'-5"	38	5'-9"	38	6'-10"	4	5'-9"	8	38'-0"	5.7	540
7'	3'	9"	4'-3"	30	5'-9"	30	6'-8"	4	5'-7"	8	29'-7"	4.5	430
7'	4'	10"	4'-4"	34	5'-9"	34	6'-9"	4	5'-8"	8	33'-1"	5.0	480
7'	5'	10"	4'-4"	38	5'-9"	38	6'-9"	4	5'-8"	8	36'-6"	5.5	530
7'	6'	11"	4'-5"	40	5'-9"	40	6'-10"	4	5'-9"	8	40'-0"	6.0	570
7'	7'	11"	4'-5"	44	5'-9"	44	6'-10"	4	5'-9"	8	43'-5"	6.5	620
8'	3'	9"	4'-3"	32	5'-9"	32	6'-8"	4	5'-7"	8	31'-7"	4.8	450
8'	4'	10"	4'-4"	36	5'-9"	36	6'-9"	4	5'-8"	8	35'-1"	5.3	510
8'	5'	10"	4'-4"	40	5'-9"	40	6'-9"	4	5'-8"	8	38'-6"	5.8	560
8'	6'	11"	4'-5"	42	5'-9"	42	6'-10"	4	5'-9"	8	42'-0"	6.3	600
8'	7'	11"	4'-5"	46	5'-9"	46	6'-10"	4	5'-9"	8	45'-5"	6.8	650
8'	8'	12"	4'-6"	50	5'-9"	50	6'-11"	4	5'-10"	8	49'-1"	7.4	710
9'	3'	9"	4'-3"	34	5'-9"	34	6'-8"	4	5'-7"	8	33'-7"	5.1	480
9'	4'	10"	4'-4"	38	5'-9"	38	6'-9"	4	5'-8"	8	37'-1"	5.6	540
9'	5'	10"	4'-4"	42	5'-9"	42	6'-9"	4	5'-8"	8	40'-6"	6.1	590
9'	6'	11"	4'-5"	44	5'-9"	44	6'-10"	4	5'-9"	8	44'-0"	6.6	630
9'	7'	11"	4'-5"	48	5'-9"	48	6'-10"	4	5'-9"	8	47'-5"	7.1	680
9'	8'	12"	4'-6"	52	5'-9"	52	6'-11"	4	5'-10"	8	51'-1"	7.7	730
9'	9'	13"	4'-7"	56	5'-9"	56	7'-0"	4	5'-11"	8	54'-7"	8.2	790
10'	3'	9"	4'-3"	36	5'-9"	36	6'-8"	4	5'-7"	8	35'-7"	5.4	510
10'	4'	10"	4'-4"	40	5'-9"	40	6'-9"	4	5'-8"	8	39'-1"	5.9	560
10'	5'	10"	4'-4"	44	5'-9"	44	6'-9"	4	5'-8"	8	42'-6"	6.4	610
10'	6'	11"	4'-5"	46	5'-9"	46	6'-10"	4	5'-9"	8	46'-0"	6.9	650
10'	7'	11"	4'-5"	50	5'-9"	50	6'-10"	4	5'-9"	8	49'-8"	7.5	710
10'	8'	12"	4'-6"	54	5'-9"	54	6'-11"	4	5'-10"	8	53'-1"	8.0	760
10'	9'	13"	4'-7"	58	5'-9"	58	7'-0"	4	5'-11"	8	56'-7"	8.5	820
10'	10'	13"	4'-7"	60	5'-9"	60	7'-0"	4	5'-11"	8	① 62'-10"	9.0	870
11'	3'	9"	4'-3"	38	5'-9"	38	6'-8"	4	5'-7"	8	37'-7"	5.7	540
11'	4'	10"	4'-4"	42	5'-9"	42	6'-9"	4	5'-8"	8	41'-1"	6.2	590
11'	5'	10"	4'-4"	46	5'-9"	46	6'-9"	4	5'-8"	8	44'-6"	6.7	640
11'	6'	11"	4'-5"	48	5'-9"	48	6'-10"	4	5'-9"	8	48'-3"	7.2	680
11'	7'	11"	4'-5"	52	5'-9"	52	6'-10"	4	5'-9"	8	51'-8"	7.8	730
11'	8'	12"	4'-6"	56	5'-9"	56	6'-11"	4	5'-10"	8	55'-1"	8.3	790
11'	9'	13"	4'-7"	60	5'-9"	60	7'-0"	4	5'-11"	8	58'-7"	8.8	840
11'	10'	13"	4'-7"	62	5'-9"	62	7'-0"	4	5'-11"	8	① 64'-10"	9.3	900
11'	11'	14"	4'-8"	66	5'-9"	66	7'-1"	4	6'-0"	8	① 68'-4"	9.9	950
12'	5'	10"	4'-4"	48	5'-9"	48	6'-9"	4	5'-8"	8	46'-9"	7.0	670
12'	6'	11"	4'-5"	50	5'-9"	50	6'-10"	4	5'-9"	8	50'-3"	7.5	710
12'	7'	11"	4'-5"	54	5'-9"	54	6'-10"	4	5'-9"	8	53'-8"	8.0	760
12'	8'	12"	4'-6"	58	5'-9"	58	6'-11"	4	5'-10"	8	57'-4"	8.6	820
12'	9'	13"	4'-7"	62	5'-9"	62	7'-0"	4	5'-11"	8	① 63'-4"	9.1	890
12'	10'	13"	4'-7"	64	5'-9"	64	7'-0"	4	5'-11"	8	① 66'-10"	9.6	920
12'	11'	14"	4'-8"	68	5'-9"	68	7'-1"	4	6'-0"	8	① 70'-4"	10.1	980
12'	12'	14"	4'-8"	72	5'-9"	72	7'-1"	4	6'-0"	8	① 73'-9"	10.7	1,030

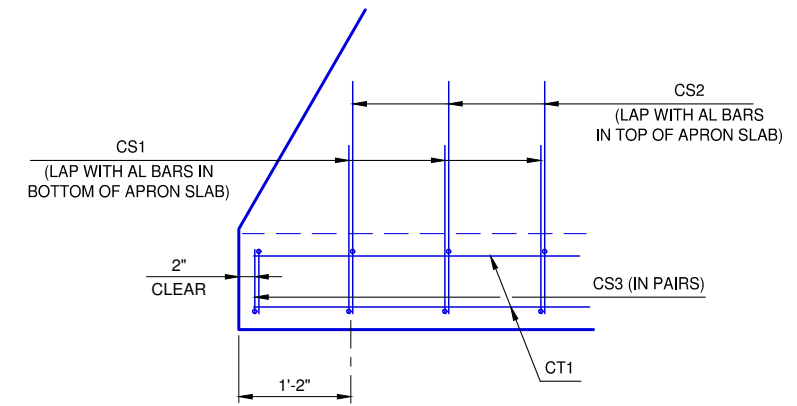
① LENGTH INCLUDES 2'-6" LAP



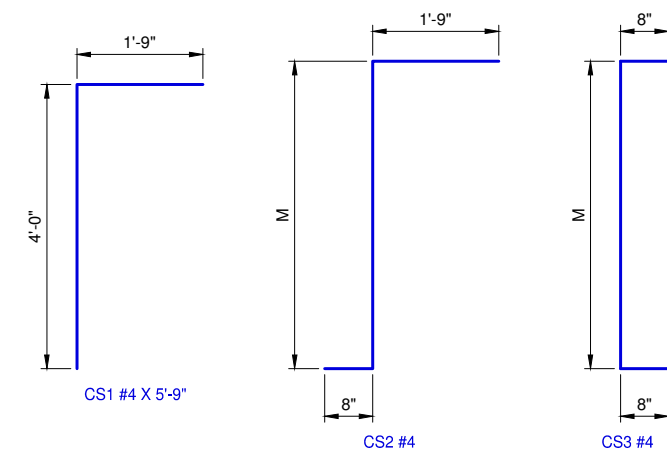
TYPICAL SECTION THRU CURTAIN WALL



TYPICAL SECTION THRU END OF CURTAIN WALL

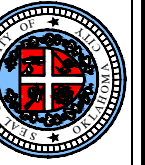


CURTAIN WALL / APRON PLAN



REVISION NO.
DATE

The City of
Oklahoma City
Public Works Department
Engineering Division



APPROVED BY: DATE: 6/22/2023
ERIC J. WENGER, P.E.
CITY ENGINEER

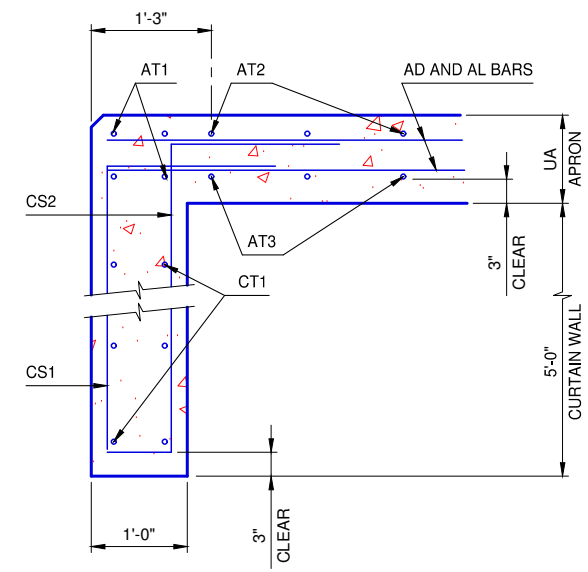
THESE STANDARD DRAWINGS AND ASSOCIATED CALCULATIONS HAVE BEEN PREPARED BY CEC CORPORATION UNDER CONTRACT WITH THE CITY OF OKLAHOMA CITY.

R.C.B. CULVERTS - CURTAIN WALL DETAILS
DOUBLE CELL - 4'-0" DEPTH - 0° SKEW

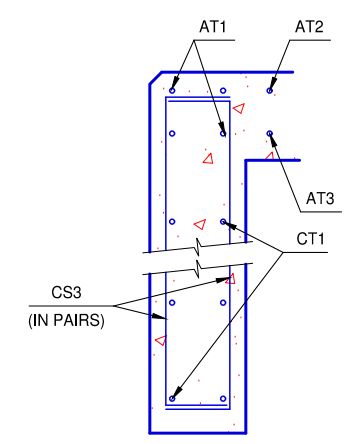
Drawing Number
RCB-061

DIMENSIONS				REINFORCING STEEL								QUANTITIES	
CELL SPAN	CELL HEIGHT	UA	M	CS1 - #5		CS2 - #5		CS3 - #5		CT1 - #4 AT 12" MAX.		CONC. (C.Y.)	REINF. (LB.)
				NO.	LENGTH	NO.	LENGTH	NO.	LENGTH	NO.	LENGTH		
5'	3'	9"	5'-3"	26	6'-9"	26	7'-8"	4	6'-7"	10	25'-7"	4.8	590
5'	4'	10"	5'-4"	30	6'-9"	30	7'-9"	4	6'-8"	10	29'-1"	5.5	680
5'	5'	10"	5'-4"	34	6'-9"	34	7'-9"	4	6'-8"	10	32'-6"	6.1	760
6'	3'	9"	5'-3"	28	6'-9"	28	7'-9"	4	6'-7"	10	27'-7"	5.2	640
6'	4'	10"	5'-4"	32	6'-9"	32	7'-9"	4	6'-8"	10	31'-1"	5.9	720
6'	5'	10"	5'-4"	36	6'-9"	36	7'-9"	4	6'-8"	10	34'-6"	6.5	810
6'	6'	11"	5'-5"	38	6'-9"	38	7'-10"	4	6'-9"	10	38'-0"	7.1	860
7'	3'	9"	5'-3"	30	6'-9"	30	7'-8"	4	6'-7"	10	29'-7"	5.6	680
7'	4'	10"	5'-4"	34	6'-9"	34	7'-9"	4	6'-8"	10	33'-1"	6.2	770
7'	5'	10"	5'-4"	38	6'-9"	38	7'-9"	4	6'-8"	10	36'-6"	6.9	850
7'	6'	11"	5'-5"	40	6'-9"	40	7'-10"	4	6'-9"	10	40'-0"	7.5	910
7'	7'	11"	5'-5"	44	6'-9"	44	7'-10"	4	6'-9"	10	43'-5"	8.2	990
8'	3'	9"	5'-3"	32	6'-9"	32	7'-8"	4	6'-7"	10	31'-7"	6.0	720
8'	4'	10"	5'-4"	36	6'-9"	36	7'-9"	4	6'-8"	10	35'-1"	6.6	810
8'	5'	10"	5'-4"	40	6'-9"	40	7'-9"	4	6'-8"	10	38'-6"	7.2	890
8'	6'	11"	5'-5"	42	6'-9"	42	7'-10"	4	6'-9"	10	42'-0"	7.9	950
8'	7'	11"	5'-5"	46	6'-9"	46	7'-10"	4	6'-9"	10	45'-5"	8.5	1,040
8'	8'	12"	5'-6"	50	6'-9"	50	7'-11"	4	6'-10"	10	49'-1"	9.2	1,130
9'	3'	9"	5'-3"	34	6'-9"	34	7'-8"	4	6'-7"	10	33'-7"	6.3	770
9'	4'	10"	5'-4"	38	6'-9"	38	7'-9"	4	6'-8"	10	37'-1"	7.0	860
9'	5'	10"	5'-4"	42	6'-9"	42	7'-9"	4	6'-8"	10	40'-6"	7.6	940
9'	6'	11"	5'-5"	44	6'-9"	44	7'-10"	4	6'-9"	10	44'-0"	8.3	1,000
9'	7'	11"	5'-5"	48	6'-9"	48	7'-10"	4	6'-9"	10	47'-5"	8.9	1,080
9'	8'	12"	5'-6"	52	6'-9"	52	7'-11"	4	6'-10"	10	51'-1"	9.6	1,170
9'	9'	13"	5'-7"	56	6'-9"	56	8'-0"	4	6'-11"	10	54'-7"	10.2	1,260
10'	3'	9"	5'-3"	36	6'-9"	36	7'-8"	4	6'-7"	10	35'-7"	6.7	810
10'	4'	10"	5'-4"	40	6'-9"	40	7'-9"	4	6'-8"	10	39'-1"	7.3	900
10'	5'	10"	5'-4"	44	6'-9"	44	7'-9"	4	6'-8"	10	42'-6"	8.0	980
10'	6'	11"	5'-5"	46	6'-9"	46	7'-10"	4	6'-9"	10	46'-0"	8.6	1,040
10'	7'	11"	5'-5"	50	6'-9"	50	7'-10"	4	6'-9"	10	49'-8"	9.3	1,130
10'	8'	12"	5'-6"	54	6'-9"	54	7'-11"	4	6'-10"	10	53'-1"	9.9	1,210
10'	9'	13"	5'-7"	58	6'-9"	58	8'-0"	4	6'-11"	10	56'-7"	10.6	1,300
10'	10'	13"	5'-7"	60	6'-9"	60	8'-0"	4	6'-11"	10	① 62'-10"	11.3	1,380
11'	3'	9"	5'-3"	38	6'-9"	38	7'-8"	4	6'-7"	10	37'-7"	7.1	850
11'	4'	10"	5'-4"	42	6'-9"	42	7'-9"	4	6'-8"	10	41'-1"	7.7	940
11'	5'	10"	5'-4"	46	6'-9"	46	7'-9"	4	6'-8"	10	44'-6"	8.4	1,030
11'	6'	11"	5'-5"	48	6'-9"	48	7'-10"	4	6'-9"	10	48'-3"	9.0	1,090
11'	7'	11"	5'-5"	52	6'-9"	52	7'-10"	4	6'-9"	10	51'-8"	9.7	1,170
11'	8'	12"	5'-6"	56	6'-9"	56	7'-11"	4	6'-10"	10	55'-1"	10.3	1,260
11'	9'	13"	5'-7"	60	6'-9"	60	8'-0"	4	6'-11"	10	58'-7"	11.0	1,350
11'	10'	13"	5'-7"	62	6'-9"	62	8'-0"	4	6'-11"	10	① 64'-10"	11.7	1,420
11'	11'	14"	5'-8"	66	6'-9"	66	8'-1"	4	7'-0"	10	① 68'-4"	12.3	1,510
12'	5'	10"	5'-4"	48	6'-9"	48	7'-9"	4	6'-8"	10	46'-9"	8.8	1,070
12'	6'	11"	5'-5"	50	6'-9"	50	7'-10"	4	6'-9"	10	50'-3"	9.4	1,130
12'	7'	11"	5'-5"	54	6'-9"	54	7'-10"	4	6'-9"	10	53'-8"	10.0	1,210
12'	8'	12"	5'-6"	58	6'-9"	58	7'-11"	4	6'-10"	10	57'-4"	10.7	1,300
12'	9'	13"	5'-7"	62	6'-9"	62	8'-0"	4	6'-11"	10	① 63'-4"	11.4	1,410
12'	10'	13"	5'-7"	64	6'-9"	64	8'-0"	4	6'-11"	10	① 66'-10"	12.0	1,460
12'	11'	14"	5'-8"	68	6'-9"	68	8'-1"	4	7'-0"	10	① 70'-4"	12.7	1,560
12'	12'	14"	5'-8"	72	6'-9"	72	8'-1"	4	7'-0"	10	① 73'-9"	13.3	1,640

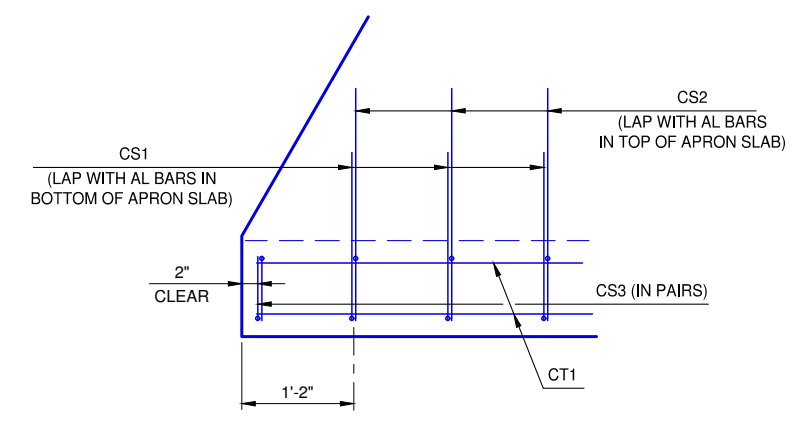
① LENGTH INCLUDES 2'-6" LAP



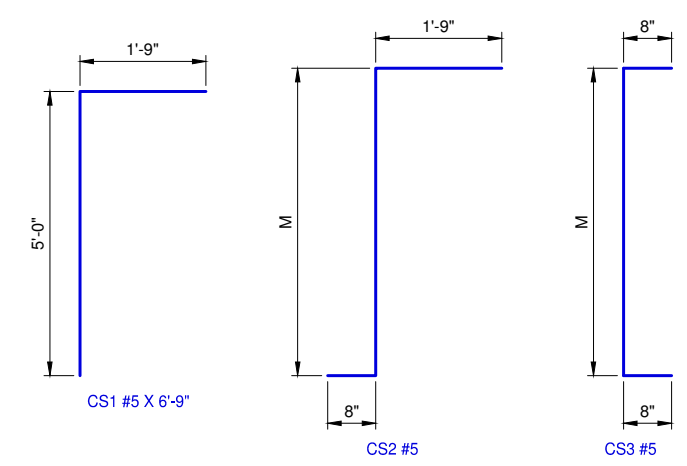
TYPICAL SECTION THRU CURTAIN WALL



TYPICAL SECTION THRU END OF CURTAIN WALL



CURTAIN WALL / APRON PLAN



REVISION NO.
DATE

The City of
Oklahoma City
Public Works Department
Engineering Division

APPROVED BY: DATE: 6/22/2023
ERIC J. WENGER, P.E.
CITY ENGINEER

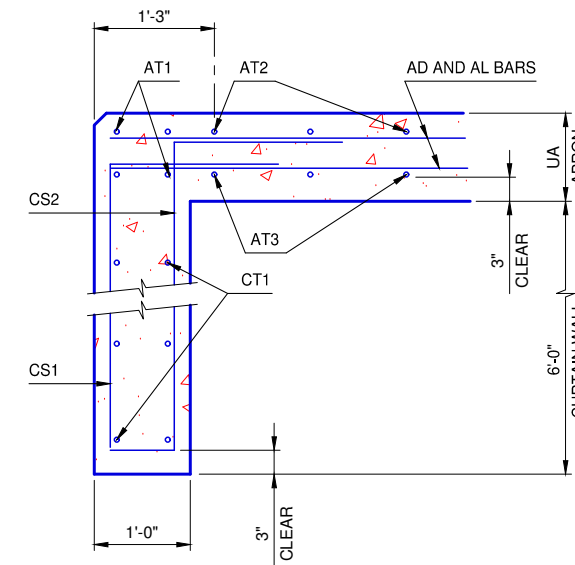
THESE STANDARD DRAWINGS AND ASSOCIATED CALCULATIONS HAVE BEEN PREPARED BY CEC CORPORATION UNDER CONTRACT WITH THE CITY OF OKLAHOMA CITY.

R.C.B. CULVERTS - CURTAIN WALL DETAILS
DOUBLE CELL - 5'-0" DEPTH - 0° SKEW

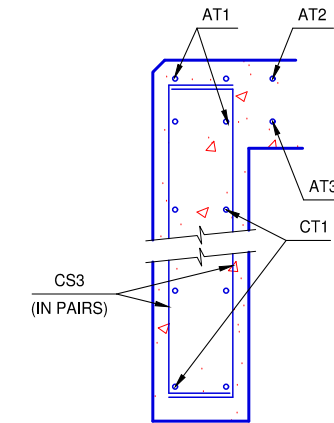
Drawing Number
RCB-062

DIMENSIONS				REINFORCING STEEL								QUANTITIES	
CELL SPAN	CELL HEIGHT	UA	M	CS1 - #5		CS2 - #5		CS3 - #5		CT1 - #4 AT 12" MAX.		CONC. (C.Y.)	REINF. (LB.)
				NO.	LENGTH	NO.	LENGTH	NO.	LENGTH	NO.	LENGTH		
5'	3'	9"	6'-3"	51	7'-9"	51	8'-8"	4	7'-7"	12	25'-7"	5.8	1,110
5'	4'	10"	6'-4"	59	7'-9"	59	8'-9"	4	7'-8"	12	29'-1"	6.6	1,290
5'	5'	10"	6'-4"	67	7'-9"	67	8'-9"	4	7'-8"	12	32'-6"	7.3	1,450
6'	3'	9"	6'-3"	55	7'-9"	55	8'-8"	4	7'-7"	12	27'-7"	6.3	1,200
6'	4'	10"	6'-4"	63	7'-9"	63	8'-9"	4	7'-8"	12	31'-1"	7.0	1,370
6'	5'	10"	6'-4"	71	7'-9"	71	8'-9"	4	7'-8"	12	34'-6"	7.8	1,540
6'	6'	11"	6'-5"	75	7'-9"	75	8'-10"	4	7'-9"	12	38'-0"	8.6	1,640
7'	3'	9"	6'-3"	59	7'-9"	59	8'-8"	4	7'-7"	12	29'-7"	6.7	1,280
7'	4'	10"	6'-4"	67	7'-9"	67	8'-9"	4	7'-8"	12	33'-1"	7.5	1,460
7'	5'	10"	6'-4"	75	7'-9"	75	8'-9"	4	7'-8"	12	36'-6"	8.2	1,620
7'	6'	11"	6'-5"	79	7'-9"	79	8'-10"	4	7'-9"	12	40'-0"	9.0	1,720
7'	7'	11"	6'-5"	87	7'-9"	87	8'-10"	4	7'-9"	12	43'-5"	9.8	1,890
8'	3'	9"	6'-3"	63	7'-9"	63	8'-8"	4	7'-7"	12	31'-7"	7.1	1,370
8'	4'	10"	6'-4"	71	7'-9"	71	8'-9"	4	7'-8"	12	35'-1"	7.9	1,540
8'	5'	10"	6'-4"	79	7'-9"	79	8'-9"	4	7'-8"	12	38'-6"	8.7	1,710
8'	6'	11"	6'-5"	83	7'-9"	83	8'-10"	4	7'-9"	12	42'-0"	9.5	1,810
8'	7'	11"	6'-5"	91	7'-9"	91	8'-10"	4	7'-9"	12	45'-5"	10.2	1,980
8'	8'	12"	6'-6"	99	7'-9"	99	8'-11"	4	7'-10"	12	49'-1"	11.0	2,150
9'	3'	9"	6'-3"	67	7'-9"	67	8'-8"	4	7'-7"	12	33'-7"	7.6	1,450
9'	4'	10"	6'-4"	75	7'-9"	75	8'-9"	4	7'-8"	12	37'-1"	8.4	1,620
9'	5'	10"	6'-4"	83	7'-9"	83	8'-9"	4	7'-8"	12	40'-6"	9.1	1,790
9'	6'	11"	6'-5"	87	7'-9"	87	8'-10"	4	7'-9"	12	44'-0"	9.9	1,890
9'	7'	11"	6'-5"	95	7'-9"	95	8'-10"	4	7'-9"	12	47'-5"	10.7	2,060
9'	8'	12"	6'-6"	103	7'-9"	103	8'-11"	4	7'-10"	12	51'-1"	11.5	2,240
9'	9'	13"	6'-7"	111	7'-9"	111	9'-0"	4	7'-11"	12	54'-7"	12.3	2,410
10'	3'	9"	6'-3"	71	7'-9"	71	8'-8"	4	7'-7"	12	35'-7"	8.0	1,540
10'	4'	10"	6'-4"	79	7'-9"	79	8'-9"	4	7'-8"	12	39'-1"	8.8	1,710
10'	5'	10"	6'-4"	87	7'-9"	87	8'-9"	4	7'-8"	12	42'-6"	9.6	1,870
10'	6'	11"	6'-5"	91	7'-9"	91	8'-10"	4	7'-9"	12	46'-0"	10.3	1,980
10'	7'	11"	6'-5"	99	7'-9"	99	8'-10"	4	7'-9"	12	49'-8"	11.2	2,150
10'	8'	12"	6'-6"	107	7'-9"	107	8'-11"	4	7'-10"	12	53'-1"	11.9	2,320
10'	9'	13"	6'-7"	115	7'-9"	115	9'-0"	4	7'-11"	12	56'-7"	12.7	2,500
10'	10'	13"	6'-7"	119	7'-9"	119	9'-0"	4	7'-11"	12	62'-10"	13.5	2,620
11'	3'	9"	6'-3"	75	7'-9"	75	8'-8"	4	7'-7"	12	37'-7"	8.5	1,620
11'	4'	10"	6'-4"	83	7'-9"	83	8'-9"	4	7'-8"	12	41'-1"	9.3	1,790
11'	5'	10"	6'-4"	91	7'-9"	91	8'-9"	4	7'-8"	12	44'-6"	10.0	1,960
11'	6'	11"	6'-5"	95	7'-9"	95	8'-10"	4	7'-9"	12	48'-3"	10.8	2,070
11'	7'	11"	6'-5"	103	7'-9"	103	8'-10"	4	7'-9"	12	51'-8"	11.6	2,230
11'	8'	12"	6'-6"	111	7'-9"	111	8'-11"	4	7'-10"	12	55'-1"	12.4	2,410
11'	9'	13"	6'-7"	119	7'-9"	119	9'-0"	4	7'-11"	12	58'-7"	13.1	2,590
11'	10'	13"	6'-7"	123	7'-9"	123	9'-0"	4	7'-11"	12	64'-10"	14.0	2,710
11'	11'	14"	6'-8"	131	7'-9"	131	9'-1"	4	8'-0"	12	68'-4"	14.8	2,890
12'	5'	10"	6'-4"	95	7'-9"	95	8'-9"	4	7'-8"	12	46'-9"	10.5	2,050
12'	6'	11"	6'-5"	99	7'-9"	99	8'-10"	4	7'-9"	12	50'-3"	11.3	2,150
12'	7'	11"	6'-5"	107	7'-9"	107	8'-10"	4	7'-9"	12	53'-8"	12.0	2,320
12'	8'	12"	6'-6"	115	7'-9"	115	8'-11"	4	7'-10"	12	57'-4"	12.9	2,500
12'	9'	13"	6'-7"	123	7'-9"	123	9'-0"	4	7'-11"	12	63'-4"	13.6	2,690
12'	10'	13"	6'-7"	127	7'-9"	127	9'-0"	4	7'-11"	12	66'-10"	14.4	2,790
12'	11'	14"	6'-8"	135	7'-9"	135	9'-1"	4	8'-0"	12	70'-4"	15.2	2,970
12'	12'	14"	6'-8"	143	7'-9"	143	9'-1"	4	8'-0"	12	73'-9"	16.0	3,140

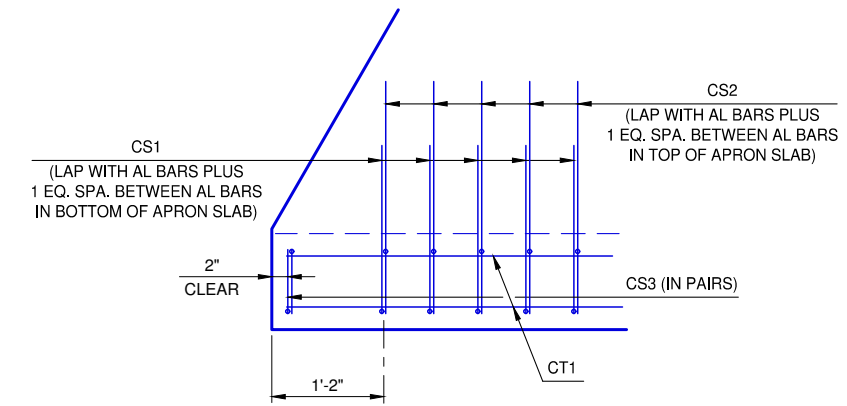
① LENGTH INCLUDES 2'-6" LAP



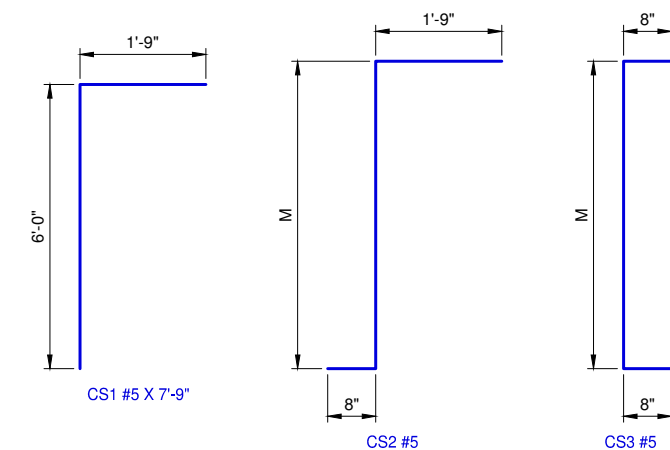
TYPICAL SECTION THRU CURTAIN WALL



TYPICAL SECTION THRU END OF CURTAIN WALL

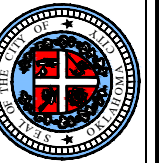


CURTAIN WALL / APRON PLAN



REVISION NO.
DATE

The City of
Oklahoma City
Public Works Department
Engineering Division



APPROVED BY: DATE: 8/22/2023
ERIC WENGER, P.E.
CITY ENGINEER

THESE STANDARD DRAWINGS AND ASSOCIATED CALCULATIONS HAVE BEEN PREPARED BY CEC CORPORATION UNDER CONTRACT WITH THE CITY OF OKLAHOMA CITY.

R.C.B. CULVERTS - CURTAIN WALL DETAILS
DOUBLE CELL - 6'-0" DEPTH - 0° SKEW

Drawing Number
RCB-063