

APRON AND HEADWALL BAR LIST

MARK	SIZE	FORM	4' SPAN			5' SPAN			6' SPAN			7' SPAN			8' SPAN			9' SPAN			10' SPAN			11' SPAN		
			NO.	LENGTH	LENGTH VARIATION	NO.	LENGTH	LENGTH VARIATION	NO.	LENGTH	LENGTH VARIATION	NO.	LENGTH	LENGTH VARIATION	NO.	LENGTH	LENGTH VARIATION	NO.	LENGTH	LENGTH VARIATION	NO.	LENGTH	LENGTH VARIATION	NO.	LENGTH	LENGTH VARIATION
ABD1	#4	STR.	36	4'-3"		42	4'-3"		48	4'-3"		54	4'-3"		60	4'-3"		66	4'-3"		72	4'-3"		78	4'-3"	
ABD2	#4	BNT.	4	5'-0"		4	5'-0"		4	5'-0"		4	5'-0"		4	5'-0"		4	5'-0"		4	5'-0"		4	5'-0"	
AD	#4	STR.	4	13'-3"		4	13'-3"		4	13'-3"		4	13'-3"		4	13'-3"		4	13'-3"		4	13'-3"		4	13'-3"	
AL1	#4	STR.	36	12'-7"		42	12'-7"		48	12'-7"		54	12'-7"		60	12'-7"		66	12'-7"		72	12'-7"		78	12'-7"	
AL2	#4	STR.	24	6'-7" AVG.	2'-4" TO 10'-10"	24	6'-7" AVG.	2'-4" TO 10'-10"	24	6'-7" AVG.	2'-4" TO 10'-10"	24	6'-7" AVG.	2'-4" TO 10'-10"	24	6'-7" AVG.	2'-4" TO 10'-10"	24	6'-7" AVG.	2'-4" TO 10'-10"	24	6'-7" AVG.	2'-4" TO 10'-10"	24	6'-7" AVG.	2'-4" TO 10'-10"
AT1	#4	STR.	4	28'-5"		4	31'-5"		4	34'-5"		4	37'-5"		4	40'-5"		4	43'-5"		4	46'-5"		4	49'-5"	
AT2	#4	STR.	12	21'-5" AVG.	15'-0" TO 27'-10"	12	24'-5" AVG.	18'-0" TO 30'-10"	12	27'-5" AVG.	21'-0" TO 33'-10"	12	30'-5" AVG.	24'-0" TO 36'-10"	12	33'-5" AVG.	27'-0" TO 39'-10"	12	36'-5" AVG.	30'-0" TO 42'-10"	12	39'-5" AVG.	33'-0" TO 45'-10"	12	42'-5" AVG.	36'-0" TO 48'-10"
AT3	#5	STR.	12	21'-5" AVG.	15'-0" TO 27'-10"	12	24'-5" AVG.	18'-0" TO 30'-10"	12	27'-5" AVG.	21'-0" TO 33'-10"	12	30'-5" AVG.	24'-0" TO 36'-10"	12	33'-5" AVG.	27'-0" TO 39'-10"	12	36'-5" AVG.	30'-0" TO 42'-10"	12	39'-5" AVG.	33'-0" TO 45'-10"	12	42'-5" AVG.	36'-0" TO 48'-10"
CH	#4	STR.	4	15'-0"		4	18'-0"		4	21'-0"		4	24'-0"		4	27'-0"		4	30'-0"		4	33'-0"		4	36'-0"	
CL1	#4	BNT.	20	4'-4"		23	4'-4"		26	4'-4"		29	4'-4"		32	4'-4"		35	4'-4"		38	4'-4"		41	4'-4"	
CL2	#4	BNT.	20	4'-4"		23	4'-4"		26	4'-4"		29	4'-4"		32	4'-4"		35	4'-4"		38	4'-4"		41	4'-4"	

① 4 SETS OF 6 BARS

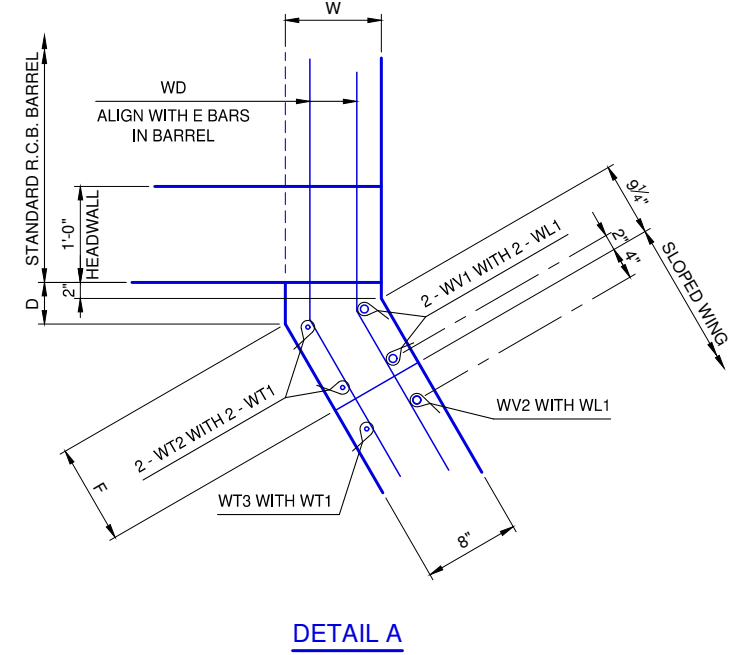
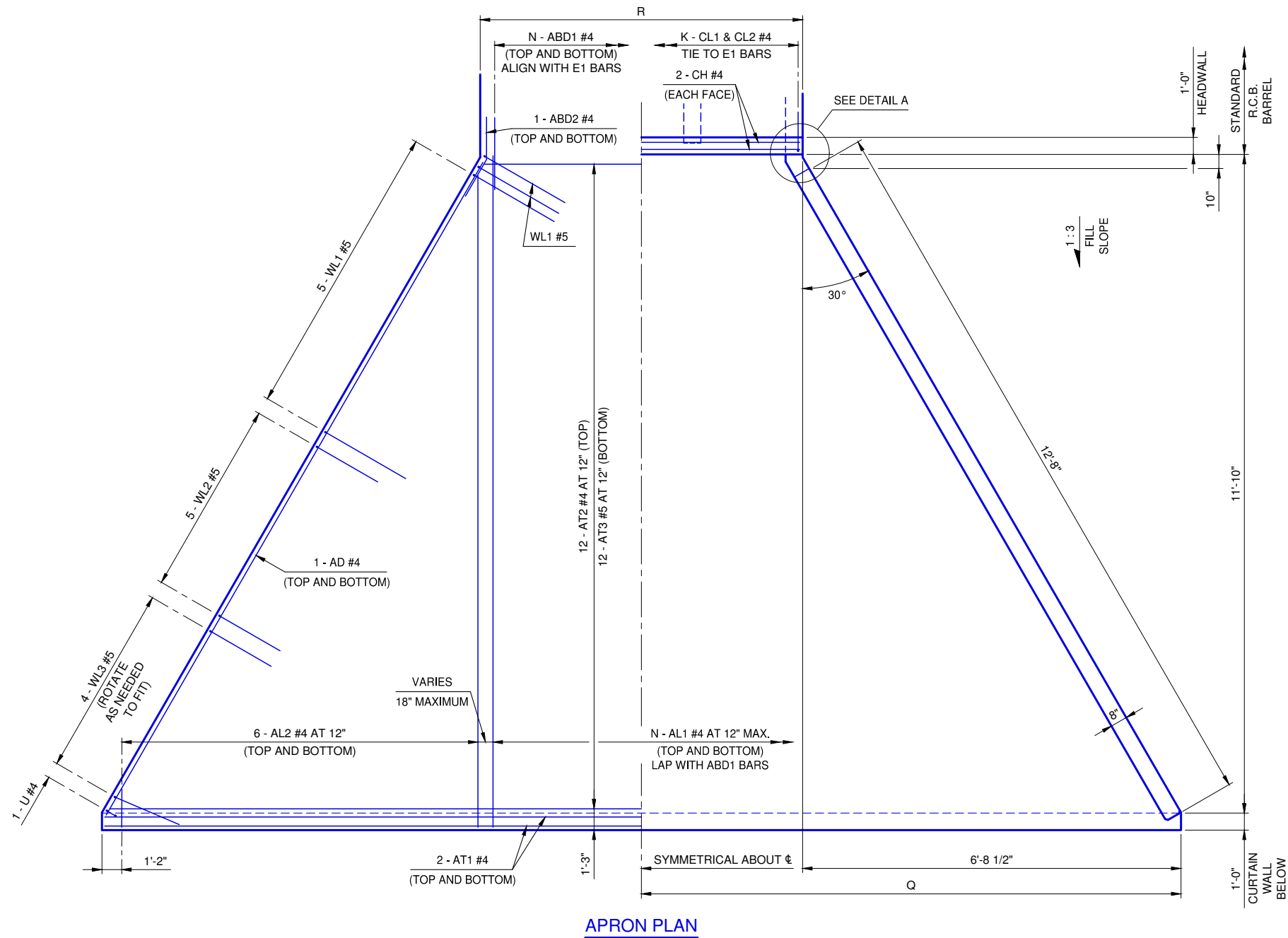
NOTE:
 QUANTITIES ARE FOR ONE END SECTION WHICH INCLUDES ONE HEADWALL, ONE APRON AND TWO WINGWALLS. PIPE RAILING IS BASED ON PLAN DIMENSION AT CENTERLINE OF RAILING.

QUANTITIES

ITEM	UNIT	4' SPAN	5' SPAN	6' SPAN	7' SPAN	8' SPAN	9' SPAN	10' SPAN	11' SPAN
CLASS AA CONCRETE	C.Y.	11.4	12.7	13.9	15.2	16.4	17.6	18.8	20.0
REINFORCING STEEL	LB.	1,980	2,140	2,300	2,440	2,560	2,730	2,870	3,020
PIPE RAILING	L.F.	42	45	48	51	54	57	60	63

SPAN	APRON VARIABLES			
	DIMENSIONS		NO. OF BARS	
	R	Q	K	N
4'	15'-4"	14'-4 1/2"	20	18
5'	18'-4"	15'-10 1/2"	23	21
6'	21'-4"	17'-4 1/2"	26	24
7'	24'-4"	18'-10 1/2"	29	27
8'	27'-4"	20'-4 1/2"	32	30
9'	30'-4"	21'-10 1/2"	35	33
10'	33'-4"	23'-4 1/2"	38	36
11'	36'-4"	24'-10 1/2"	41	39

SPAN	WINGWALL DIMENSIONS			
	SPAN	W	D	F
4'	10"	11/16"	1'-3 3/8"	
5'	10"	11/16"	1'-3 3/8"	
6'	10"	11/16"	1'-3 3/8"	
7'	10"	11/16"	1'-3 3/8"	
8'	10"	11/16"	1'-3 3/8"	
9'	10"	11/16"	1'-3 3/8"	
10'	10"	11/16"	1'-3 3/8"	
11'	10"	11/16"	1'-3 3/8"	



REVISION NO.
DATE



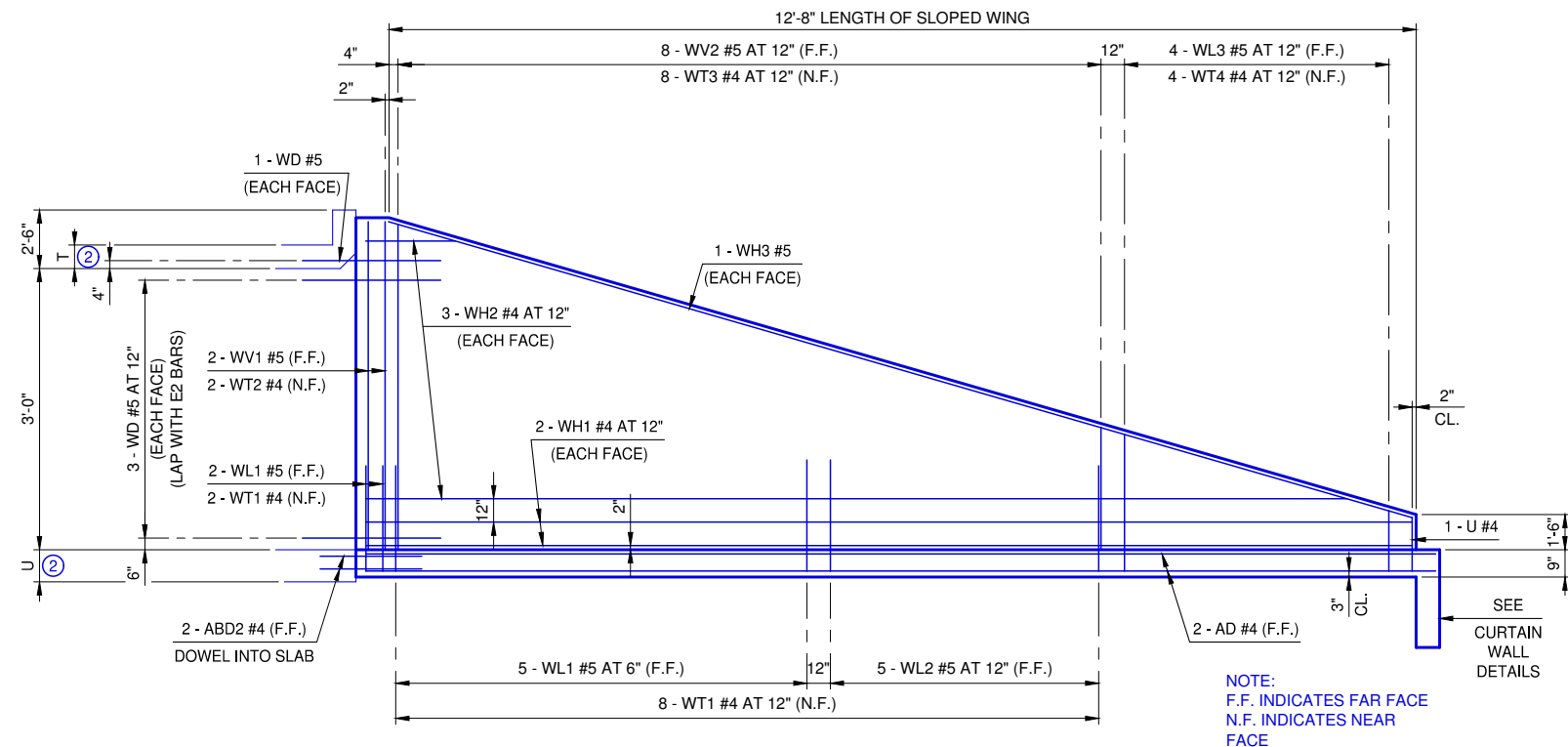
APPROVED BY: DATE: 6/22/2023
 ERIC J. WENGER, P.E.
 CITY ENGINEER

THESE STANDARD DRAWINGS AND ASSOCIATED CALCULATIONS HAVE BEEN PREPARED BY CEC CORPORATION UNDER CONTRACT WITH THE CITY OF OKLAHOMA CITY

R.C.B. CULVERTS - END SECTION DETAILS
TRIPLE CELL - 3' HEIGHT - 0° SKEW

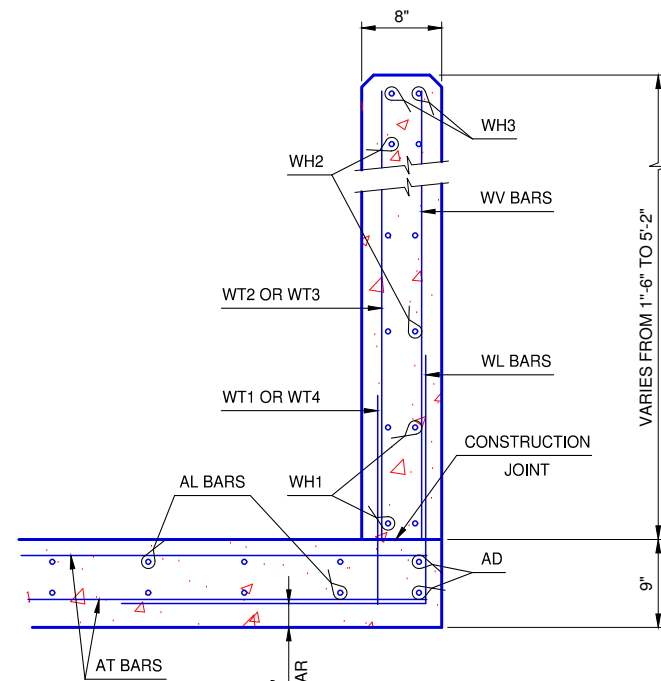
SHEET NO. 1 OF 2

Drawing Number
 RCB-064

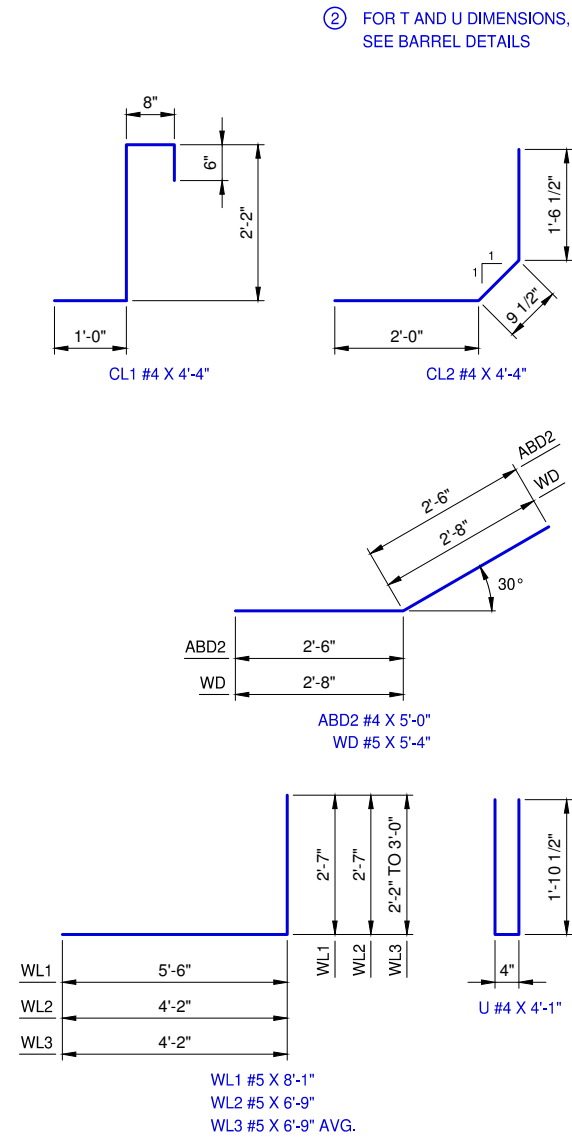


WINGWALL ELEVATION

SEE STD. RCB-015 PipeRailing FOR DETAILS OF RAIL REQUIRED ON TOP OF HEADWALL AND WINGS



TYPICAL SECTION THRU WING



ADJUSTMENT IN NUMBER OF BARREL BARS IN END SECTION

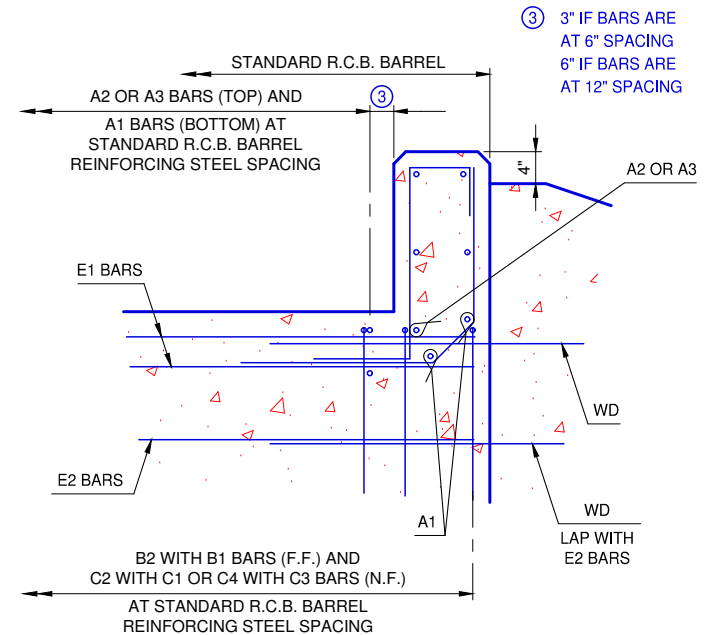
SPAN	BAR MARKS								
	A1	A2	A3	B1	B2	C1	C2	C3	C4
4'	+1	-1		+2	+2	+2	+2		
5'	+1	-1		+2	+2	+2	+2		
6'	+1			+2	+2	-4	-4	+2	+2
7'	+1					-4	-4	+2	+2
8'		-1				-4	-4	+2	+2
9'		-1				-4	-4	+2	+2
10'		-1				-4	-4	+2	+2
11'		-1				-4	-4	+2	+2

NOTE: TO CONSTRUCT ONE END SECTION AS SHOWN, THE NUMBER OF BARS SHOWN NEED TO BE ADDED TO OR SUBTRACTED FROM THE TOTAL WEIGHT OF REINFORCING FOR THE BARREL. THIS WEIGHT ADJUSTMENT IS INCLUDED IN THE END SECTION QUANTITY. SEE BARREL DETAILS FOR BAR LENGTHS, SIZES AND BENDS.

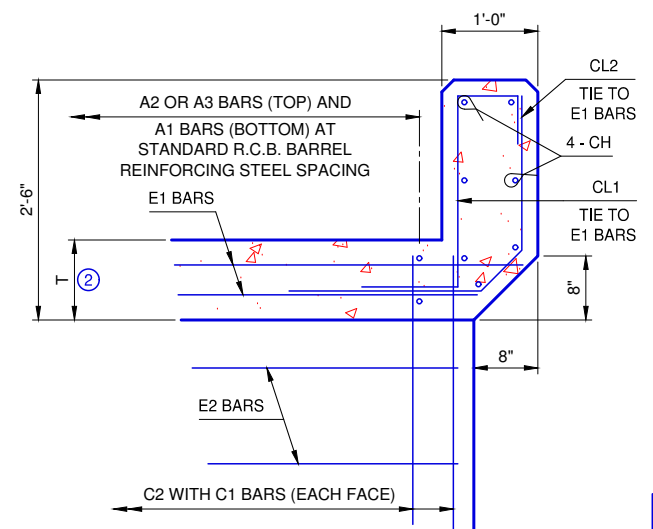
WINGWALL BAR LIST
ONE WINGWALL SHOWN, TWO REQUIRED

MARK	SIZE	NO.	FORM	LENGTH	LENGTH VARIATION
WD	#5	8	BNT.	5'-4"	
WH1	#4	4	STR.	13'-3"	
WH2	#4	6	STR.	7'-0" AVG.	3'-7" TO 10'-5"
WH3	#5	2	STR.	13'-0"	
WL1	#5	7	BNT.	8'-1"	
WL2	#5	5	BNT.	6'-9"	
WL3	#5	4	BNT.	6'-9" AVG.	6'-4" TO 7'-2"
WT1	#4	10	STR.	2'-2"	
WT2	#4	2	STR.	5'-0"	
WT3	#4	8	STR.	3'-10" AVG.	2'-10" TO 4'-10"
WT4	#4	4	STR.	2'-7" AVG.	2'-2" TO 3'-0"
WV1	#5	2	STR.	5'-0"	
WV2	#5	8	STR.	3'-10" AVG.	2'-10" TO 4'-10"
U	#4	1	BNT.	4'-1"	

① 2 SETS OF 3 BARS



HEADWALL DETAIL AT EXTERIOR WALL



HEADWALL DETAIL AT INTERIOR WALL

REVISION NO.
DATE

APPROVED BY: DATE: 6/22/2023
ERIC J. WENGER, P.E.
CITY ENGINEER
THESE STANDARD DRAWINGS AND ASSOCIATED CALCULATIONS HAVE BEEN PREPARED BY CEC CORPORATION UNDER CONTRACT WITH THE CITY OF OKLAHOMA CITY