



**Oklahoma City**  
*Traffic Management Division  
Residential Street Lighting  
Phone: 405-297-2531*

## **THE CITY OF OKLAHOMA CITY TRAFFIC MANAGEMENT DECORATIVE STREET LIGHTING FOR NEIGHBORHOODS**

The City of Oklahoma City Traffic Management Division has street lighting services for the purpose of reducing traffic collisions, improving pedestrian safety, deterring crime, and improving the appearance of our community. Due to the large area of light requests, the Traffic Management staff request that a location diagram be provided.

Any cost to replace existing lights with decorative lights or install new lights shall be the neighborhood's responsibility. The City will only be responsible for monthly billing at the same rate as if non-decorative lights were installed. All decorative lights must be those that are pre-approved through the City and OG&E before the City can be responsible for monthly cost.

Each street lamp requested on public streets requires a petition signed by 51% of the property owners within 300 feet of the location requested. (The City will provide a blank petition and written information for processing a signed petition.)

Streetlights are to be installed at intersections. A mid-block light will be considered if a block is longer than 600 feet. (All residential streetlights should be placed every 300 feet or greater.)

City Traffic Management staff reviews the location by driving the street and taking measurements. City staff coordinates with the neighborhood and OG&E.

Once the City has approved the intersection location for the streetlight, a letter is sent to OG&E requesting the light be installed. The City does not pay for installation.

If OG&E cannot place the light at the exact location requested by the neighborhood, they will relocate the light to another lot in that area.

If OG&E needs to bore under the street or cross someone's property, it would be the responsibility of OG&E to coordinate with the property owner. If the property owner does not cooperate, the light will not be installed.

The City pays for the monthly bill for standard type lights, which is a 32 foot mounting height pole with mast arm light. A 9500-lumen, High Pressure Sodium unit will be furnished.

If a neighborhood desires to install decorative lights, they must pay the installation and an upfront cost to insure that the City monthly bill will be equivalent to the monthly bill of a standard pole.

Neighborhood Alliance can assist neighborhoods in applying for grants to assist in the cost to the neighborhoods for decorative lighting and other beautification projects.

Traffic Management has a copy of the decorative poles that OG&E is able to furnish.

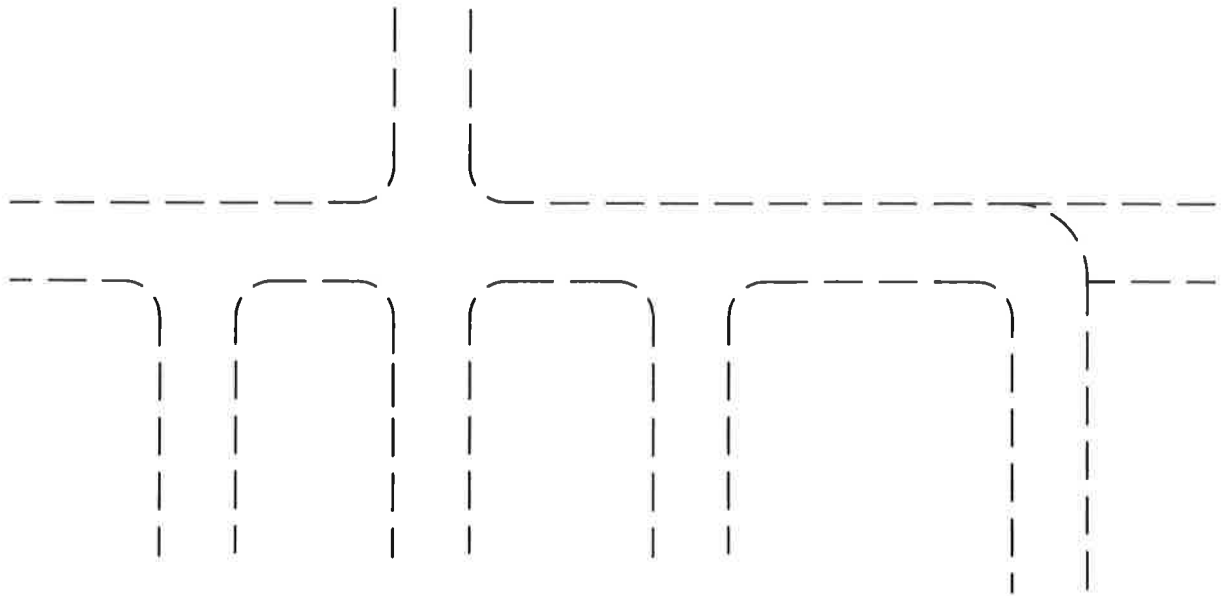
A revocable permit must be obtained by the neighborhood if they choose to install poles not furnished by OG&E or if they wish to install poles closer than 300 feet apart. In these cases, the neighborhood would be responsible for the monthly billing and the installation cost by a pre approved contractor.

## INFORMATION SHEET FOR RESIDENTIAL STREET LIGHTING

1. The cost of the service if financed by yearly appropriations approved by the City Council as a part of the City's operating budget. The money for the Council appropriations comes from the taxes and service charges, etc., which you pay to your municipal government. Only a limited amount of the public funds (usually not more than 5% of the amount spent the previous year for street lighting) is available for increased street lighting. Thus, the Traffic Management Division does not provide funding for decorative lights to be installed.
2. Residential street lights may be installed at intersections of streets dedicated and open in accordance with the statutes of the State of Oklahoma. A streetlight may be installed at a mid-block location when the distance between the existing intersections is 600 feet or more and when the necessary right-of-way, easements, and electrical facilities are available.
3. A 9500 lumen, High Pressure Sodium unit may be installed at the intersection of streets on non-decorative poles unless pre-approved.
4. A residential street light may be installed if:
  - a. 51% of the property owners within one block or 300 feet, whichever is closer, sign a petition requesting a street light and where 50% of the area is developed.
  - b. The vehicle or pedestrian traffic accident experience is such that the installation of a streetlight is warranted.
  - c. Any other unusual situation exists, such as a dead-end street, a view obstruction, etc., that would warrant installation of a streetlight.
5. Requests, inquires, and completed petitions for residential street lights should be directed to the Traffic Management Division - 420 W. Main, Suite 600, Oklahoma City, Oklahoma 73102 for review and processing. Blank petition forms are available on request from the Traffic Management Division at 297-2531.
6. A "Location Diagram" is provided to assist in the location of the streetlight. Insofar as the requested location is consistent with the procedure outlined above, available facilities, and accepted street lighting engineering, installation will be authorized as requested on the "Location Diagram".



## LOCATION DIAGRAM



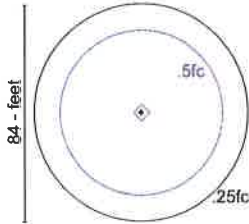
**NOTE:** Please complete the diagram, drawing in the applicable streets and the suggested location for the street light(s).





**Bristol Series  
Light Fixture**

100 Watt Hi-Pressure Sodium,  
Photocell Socket, Steeple Finial,  
Acrylic Type V Uniform Globe,  
120 VAC,  
Powder Coat Textured Black  
Pelco #SP-6124  
**OG&E Stock #1006569**



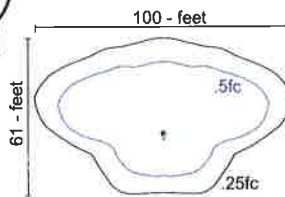
84 - feet

Bristol 100w HPS type V  
14-foot mounting height



**Bristol Series  
Light Fixture**

100 Watt Hi-Pressure Sodium,  
Photocell Socket, Steeple Finial,  
Acrylic Type III Directional Globe,  
120 VAC,  
Powder Coat Textured Black  
Pelco #SP-6126  
**OG&E Stock #1021459**



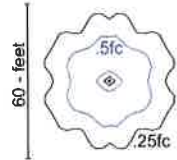
61 - feet

Bristol 100w HPS type III  
14-foot mounting height



**Windsor Series  
Light Fixture**

100 Watt Hi-Pressure Sodium,  
Photocell Socket,  
3" Gold Ball Finial, 120 VAC,  
Powder Coat  
Textured Black  
Pelco #SP-6125  
**OG&E Stock #1016830**

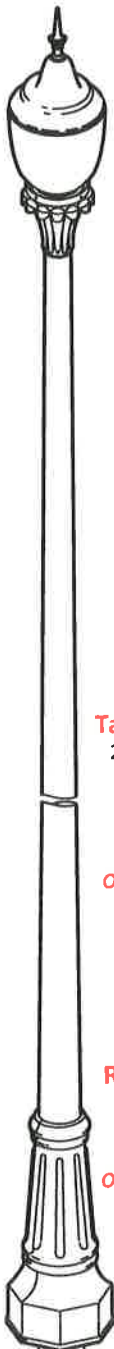


60 - feet

Windsor 100w HPS type V  
14-foot mounting height

**Express Installation  
Street & Residential Lighting**

(all items shown in red are available for express installation)



**Direct Bury  
Tapered Steel Pole**

25' Height (4' embed)  
w/ Hand Hole  
Powder Coat  
Textured Black  
Pelco #SP-6123

**OG&E Stock #1024072**

**Rochester II Base**

41" Height,  
ABS Black Plastic  
Pelco #AP-0809

**OG&E Stock #1032223**  
(optional)



**Direct Bury  
Tapered Steel Pole**

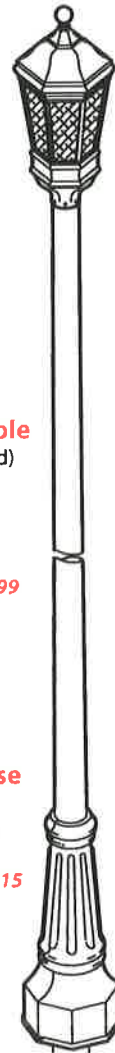
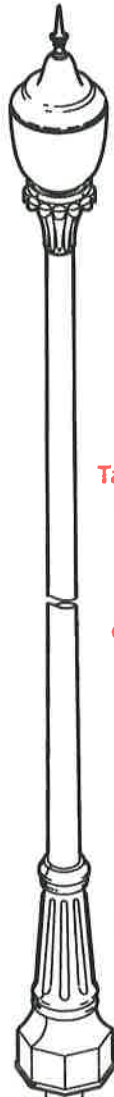
19' Height (4' embed)  
w/ Hand Hole  
Powder Coat  
Textured Black  
Pelco #SP-6122

**OG&E Stock #241099**

**Rochester I Base**

41" Height,  
ABS Black Plastic  
Pelco #AP-0803

**OG&E Stock #241115**  
(optional)



**Fluted Pole**

4" x 12' Aluminum  
Powder Coat  
Textured Black  
Pelco #AP-8269

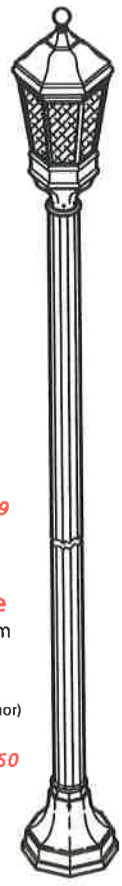
**OG&E Stock #1018949**

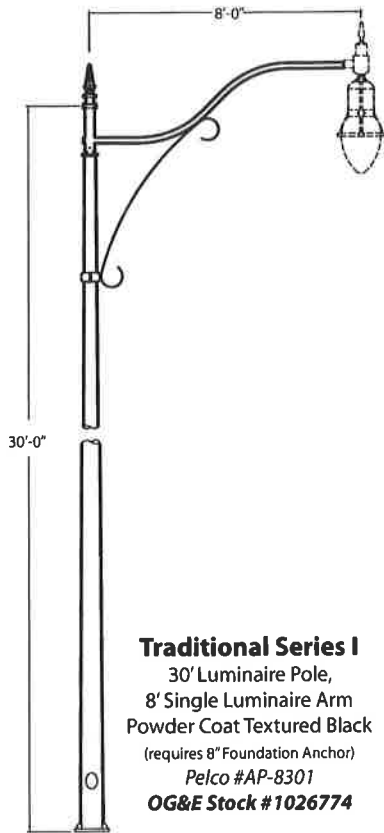
**Octagonal Base**

14" Height, Aluminum  
Powder Coat  
Textured Black

(requires 4" Foundation Anchor)  
Pelco #PB-5349

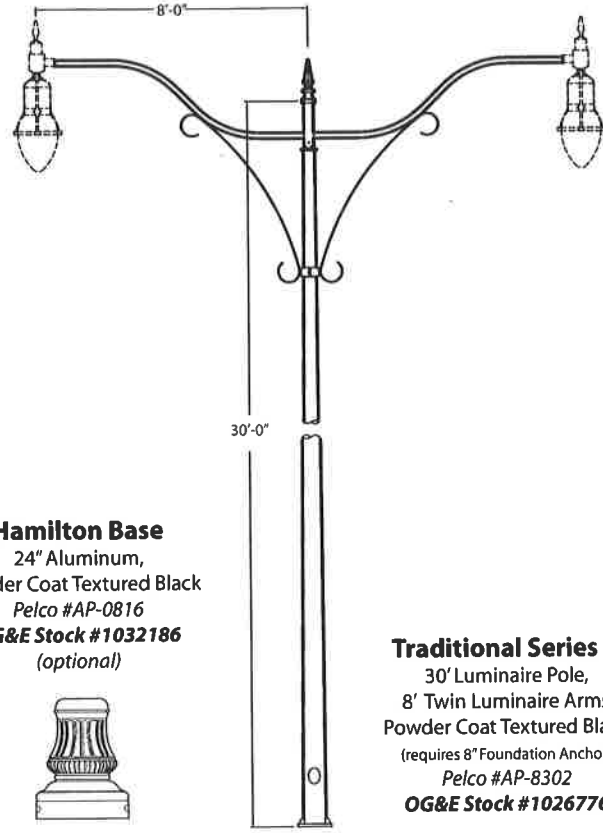
**OG&E Stock #1018950**





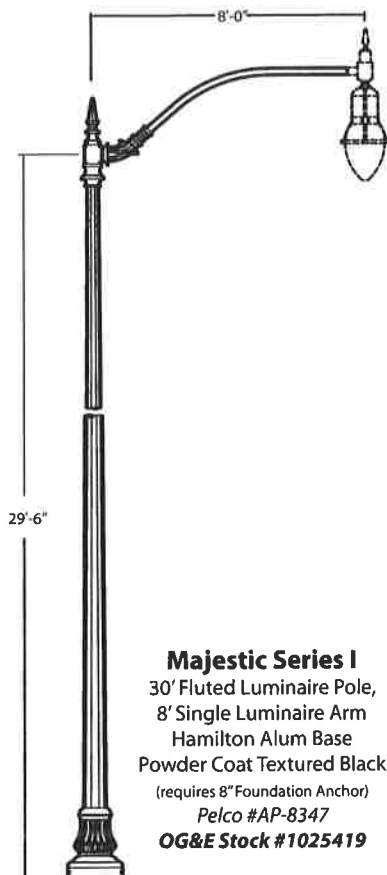
**Traditional Series I**  
 30' Luminaire Pole,  
 8' Single Luminaire Arm  
 Powder Coat Textured Black  
 (requires 8" Foundation Anchor)  
 Pelco #AP-8301  
 OG&E Stock #1026774

**Hamilton Base**  
 24" Aluminum,  
 Powder Coat Textured Black  
 Pelco #AP-0816  
 OG&E Stock #1032186  
 (optional)

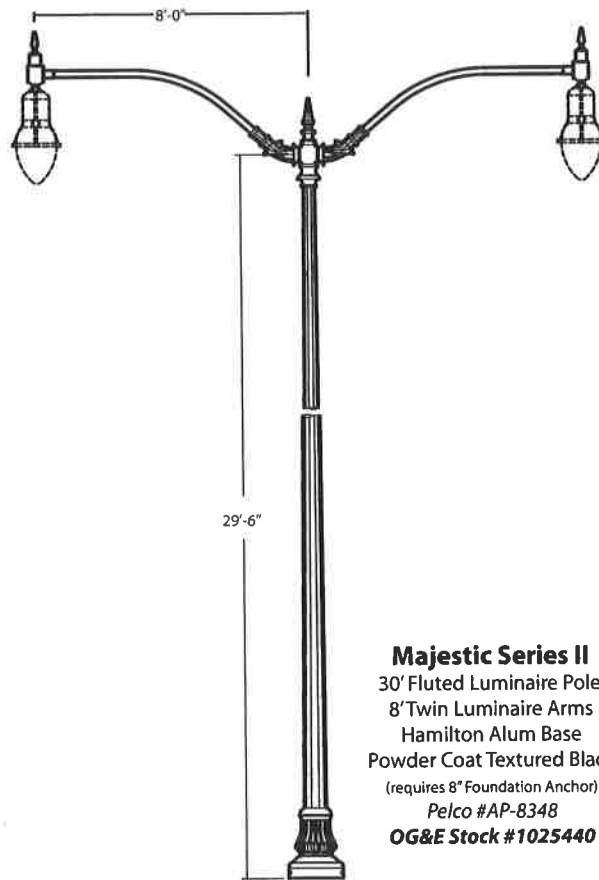


**Traditional Series II**  
 30' Luminaire Pole,  
 8' Twin Luminaire Arms  
 Powder Coat Textured Black  
 (requires 8" Foundation Anchor)  
 Pelco #AP-8302  
 OG&E Stock #1026776

## Roadway Lighting

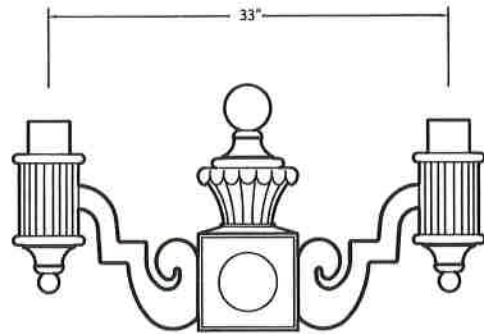
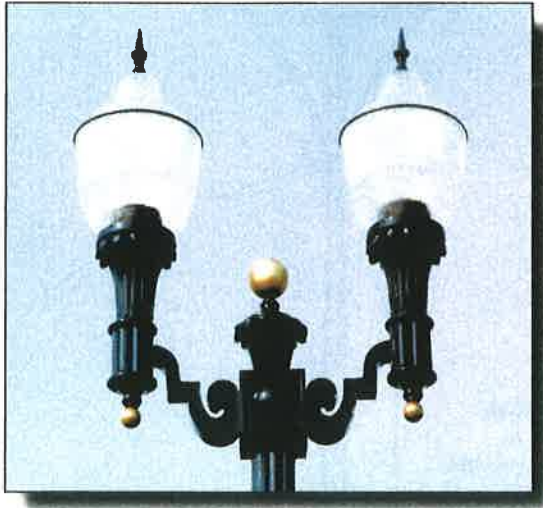


**Majestic Series I**  
 30' Fluted Luminaire Pole,  
 8' Single Luminaire Arm  
 Hamilton Alum Base  
 Powder Coat Textured Black  
 (requires 8" Foundation Anchor)  
 Pelco #AP-8347  
 OG&E Stock #1025419



**Majestic Series II**  
 30' Fluted Luminaire Pole,  
 8' Twin Luminaire Arms  
 Hamilton Alum Base  
 Powder Coat Textured Black  
 (requires 8" Foundation Anchor)  
 Pelco #AP-8348  
 OG&E Stock #1025440

## Twin Cross Arm



### Twin Cross Arm

5" Gold Ball, Powder Coat Textured Black

(Twin Arm Assy only, Fixtures not included)

Pelco #AP-8203

OG&E Stock #1032222

## Renaissance



### Renaissance Fixture

Decorative

Side Mount Adapter

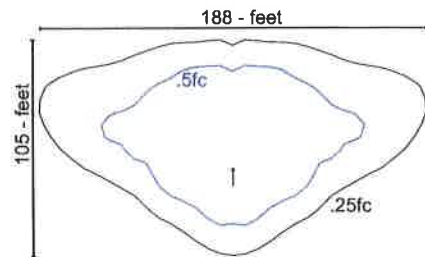
250 Watt Hi-Pressure Sodium

Powder Coat Textured Black

Pelco #AP-0280

OG&E Stock #1032213 (120vac)

OG&E Stock #1032214 (480vac)



Renaissance 250w HPS type III  
30-foot mounting height

For more information please call

**405-297-2531**